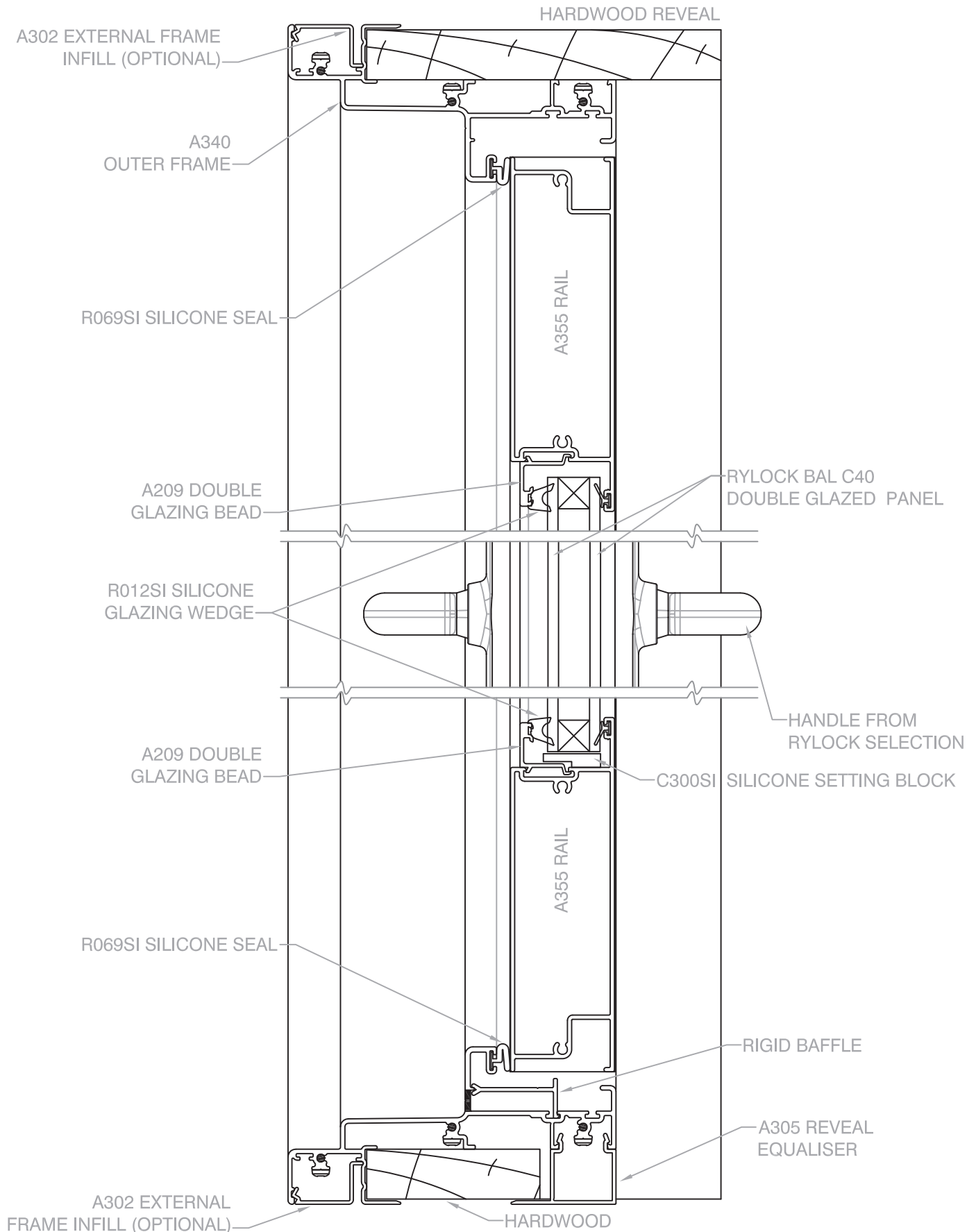


# HINGED DOOR OPEN-IN

## BAL C40 SERIES - 125mm FRAME

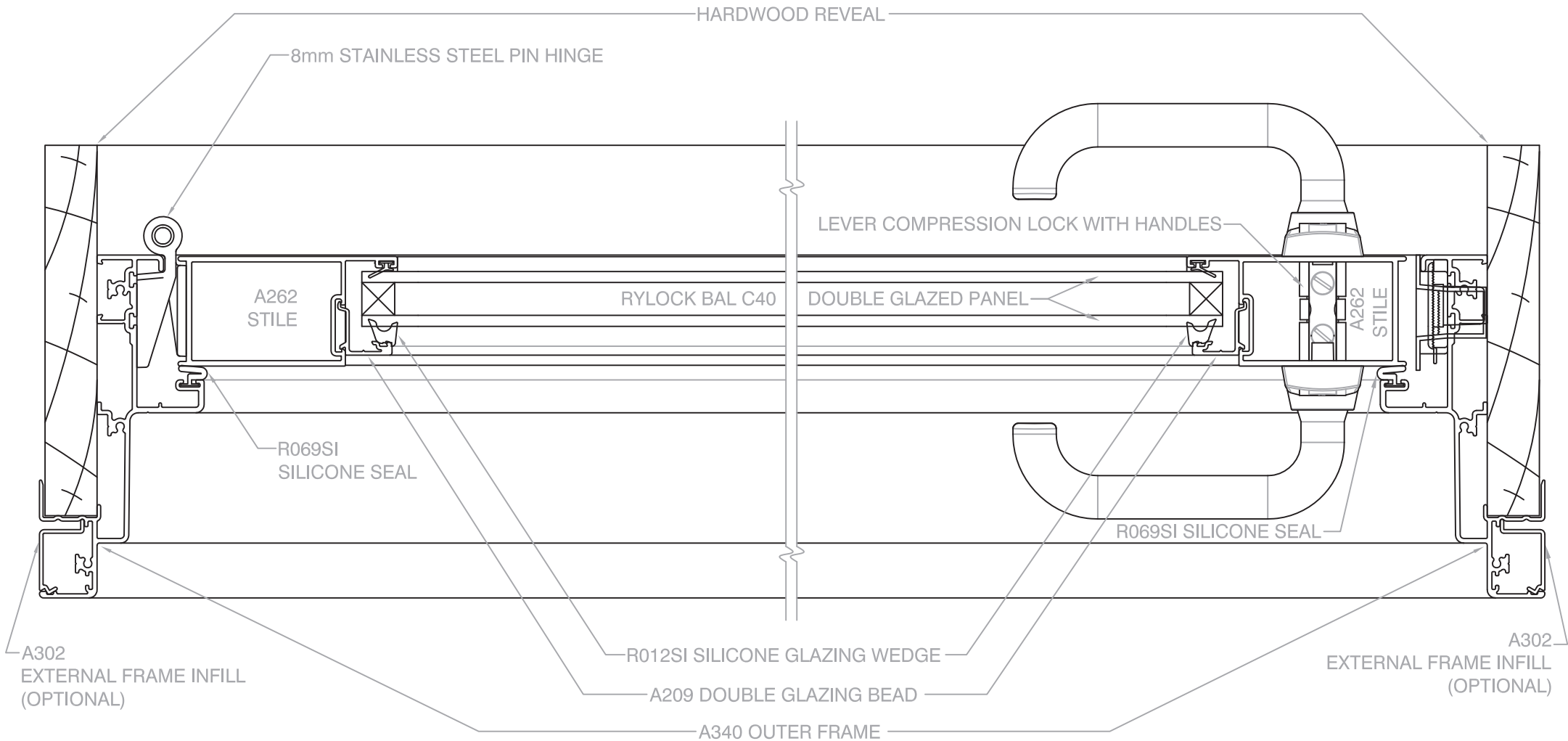


### Scale 1 : 2 @ A4, Vertical Cross Section

The intellectual property on this drawing including rights in respect of copyright & patents are owned by Rylock Pty. Ltd. All rights reserved. This drawing expires 31 December, 2018 or earlier. Visit [www.rylock.com](http://www.rylock.com) for most current version

# HINGED DOOR OPEN-IN

BAL C40 SERIES - 125mm FRAME



Scale 1 : 2 @ A4, Horizontal Cross Section of Hinged Door, Open-In (>)

The intellectual property on this drawing including rights in respect of copyright & patents are owned by Rylock Pty. Ltd. All rights reserved. This drawings expires 31 December, 2018 or earlier. Visit [www.rylock.com](http://www.rylock.com) for most current version