

SLIDING DOOR

AA SERIES - 125mm FRAME



Sliding doors encourage access to the outdoors from interior living spaces, encouraging egress & efficient ventilation. The slimline operation minimises intrusion into rooms or walkways, & they are available with 2, 3 or 4 panels



The standard lock features anti-lift pins & is key lockable from both sides (left). Available in black, white or silver finishes, a "D" handle can also be specified to the inside. An instile lock & architectural handle (see right) is an optional upgrade (satin-chrome finish only)

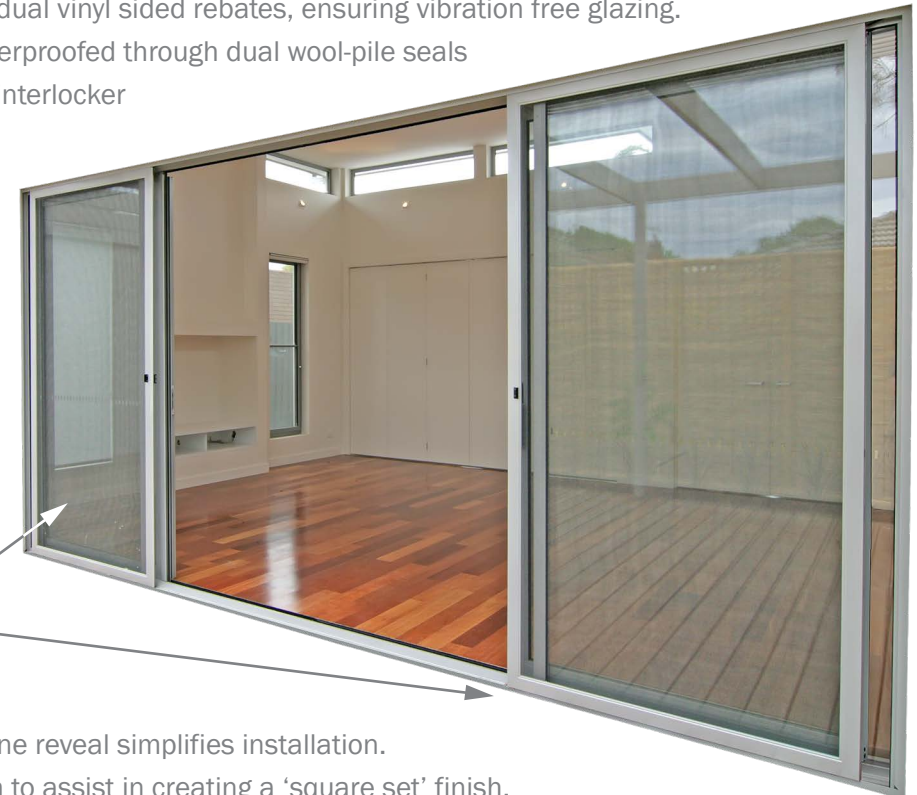


Outer frame corners are mitred for a clean appearance.
All fixings are made from durable stainless steel

All glass is installed into dual vinyl sided rebates, ensuring vibration free glazing.
Sliding panels are weatherproofed through dual wool-pile seals at the head, jamb, sill & interlocker

Fly screens fit to the outside, & run on tracks within the door's outer frame

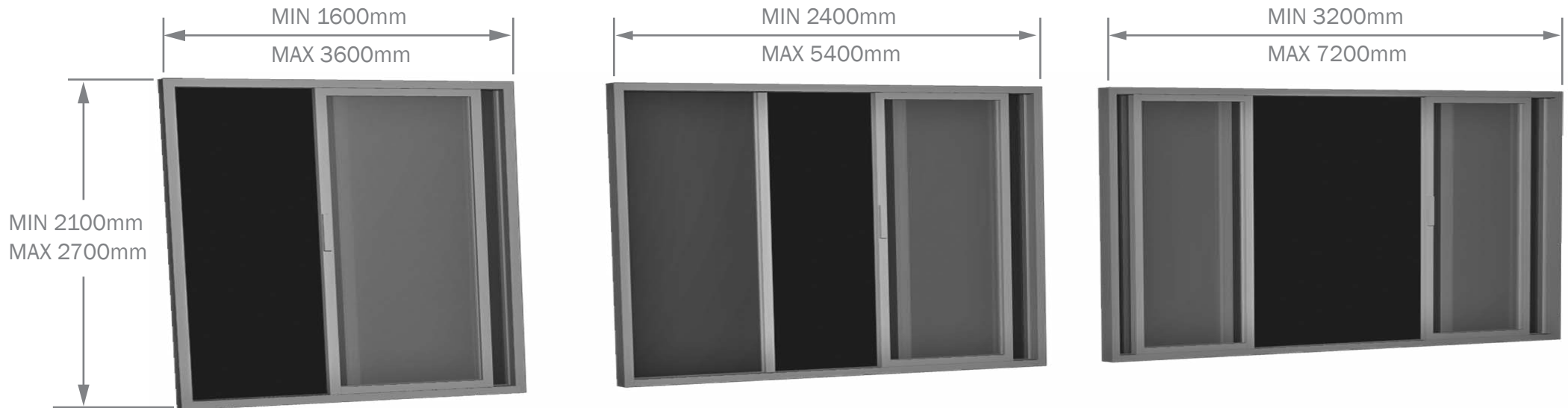
All panels roll on two 80kg rated, dual wheel ball-bearing carriages which run on an anodised track insert



The optional external frame infill has a 15 x 3mm pocket for flashing insertion, whilst the inline reveal simplifies installation. Reveals can be supplied as primed or raw hardwood, or offset from the aluminium by 1.6mm to assist in creating a 'square set' finish.

SLIDING DOOR

AA SERIES - 125mm FRAME



NOTE: ALL SIZES ARE TYPICAL RATHER THAN DEFINITIVE. ANY WIDTH OVER 6000mm WILL REQUIRE THE FRAME TO BE JOINED ONSITE, WHICH WILL INCUR EXTRA COST. NOTE THAT FLY SCREEN DOORS OVER 1200mm WIDE WILL REQUIRE A SPREADER BAR TO RETAIN TENSION, & SCREENS WITH STAINLESS STEEL MESH CAN ONLY BE SUPPLIED TO A MAXIMUM WIDTH OF 1500mm.

Sizing

Door style & opening detail should be considered as viewed externally

Sizes indicated are the overall door size. For Stud openings add 20mm to both height & width

Glazing

Glazing strength to minimum N3 rating

Glazing to be grade A safety glass. Maximum double glazed panel thickness is 22.38mm

Certification

Certified performance data including WERS ratings are available for this product on request

Specify

Frame colour, configuration, height, width & depth, reveal type (including for plaster reveals)

Optional: interlocker type, lock type, handle type & colour, dummy handle (architectural handle only),

patio bolt & colour, fly screen, mesh type, external frame infill, reveal equaliser, sill flap, glass type

The above product sizes comply with structural requirements (AS2047-2014, *Windows and external glazed doors in buildings*) for an 'N1' wind rating (AS4055-2012, *Wind loads for housing*).

This is typical of sites in suburban areas. In addition, the location has a Terrain Category of 3, is Topographic Class 1 or 2 and assumes the building will be surrounded by others of similar size.

Please specify if your site has different characteristics to any of those listed. Your building professional (architect, designer, surveyor, engineer, builder, etc.) can often assist with such determinations.