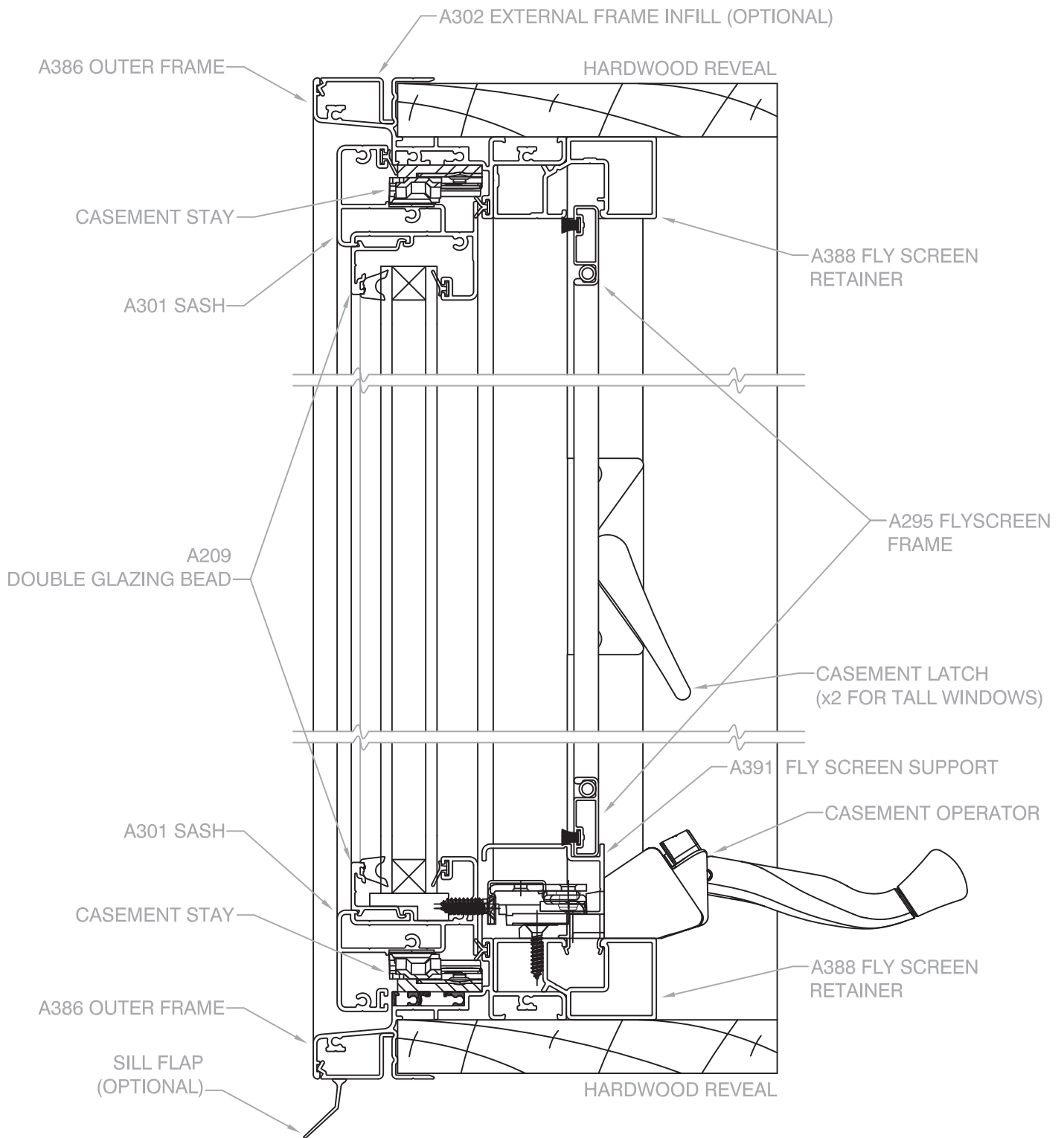


CASEMENT WINDOW, BAR OPERATED

AA SERIES - 90mm FRAME

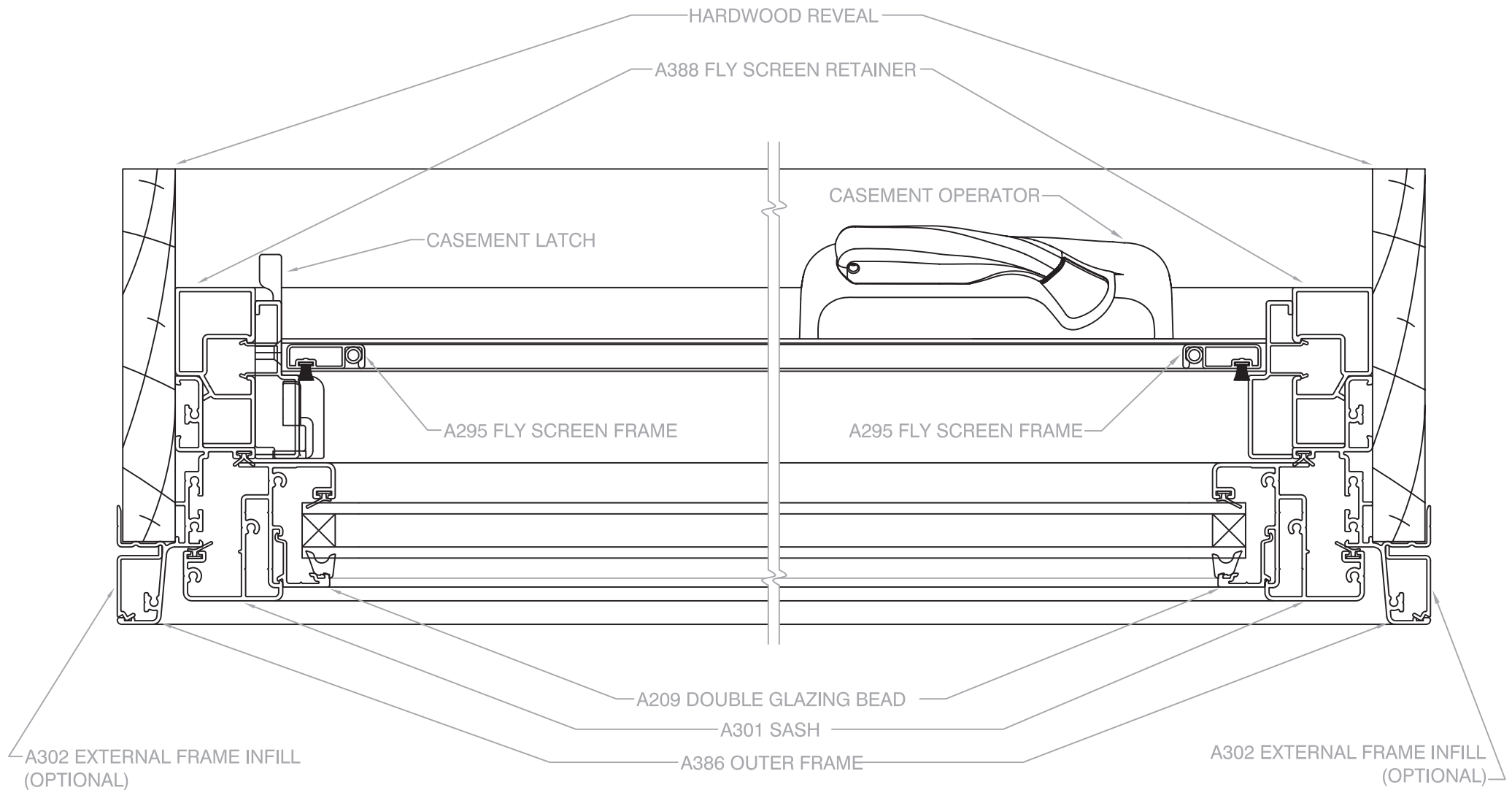


Scale 1 : 2 @ A4, Vertical Cross Section

The intellectual property on this drawing including rights in respect of copyright & patents are owned by Rylock Pty. Ltd. All rights reserved. This drawing expires 31 December, 2018 or earlier. Visit www.rylock.com for most current version

CASEMENT WINDOW, BAR OPERATED

AA SERIES - 90mm FRAME

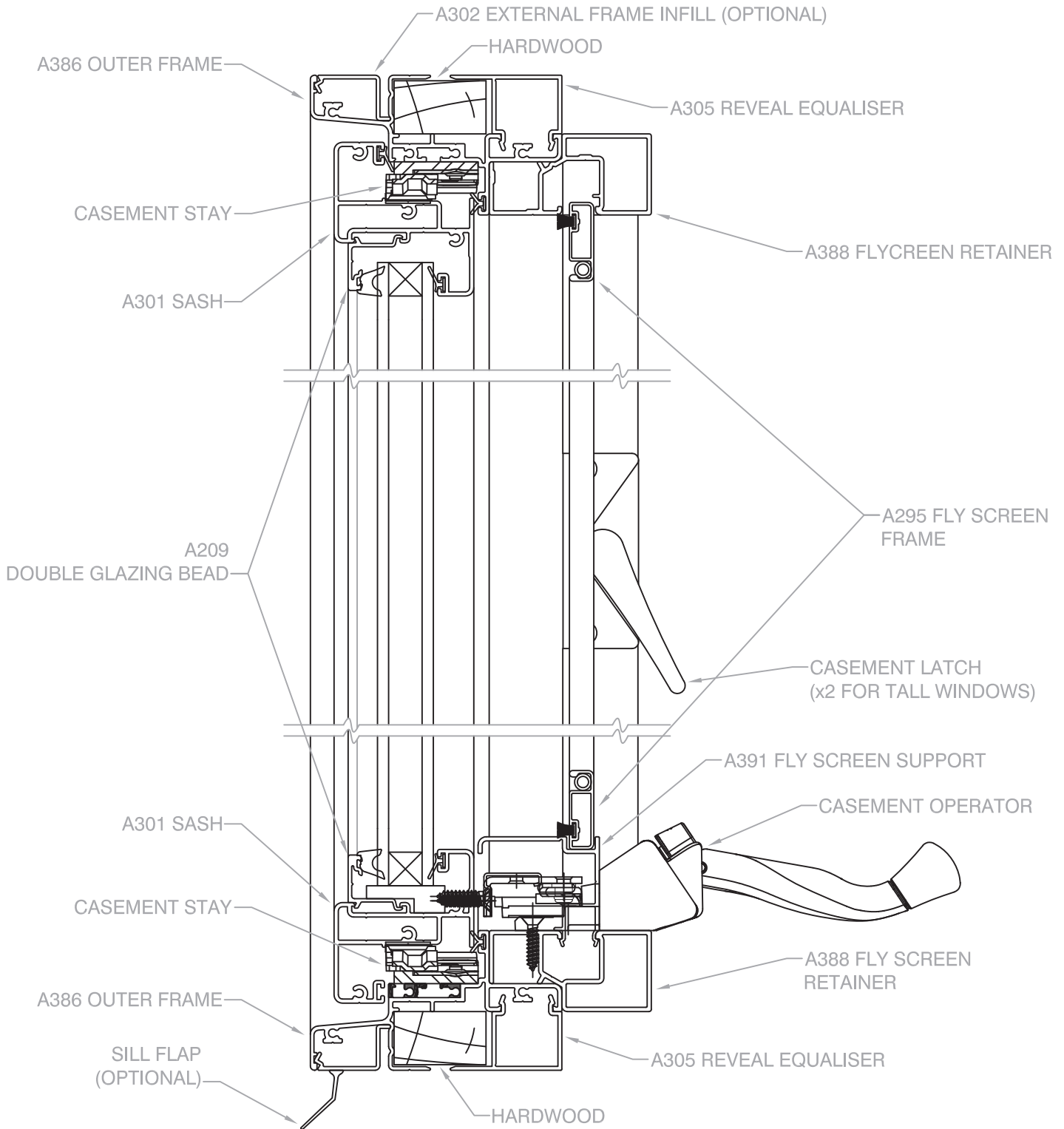


Scale 1 : 2 @ A4, Horizontal Cross Section

The intellectual property on this drawing including rights in respect of copyright & patents are owned by Rylock Pty. Ltd. All rights reserved. This drawing expires 31 December, 2018 or earlier. Visit www.rylock.com for most current version

CASEMENT WINDOW, BAR OPERATED (with Reveal Equaliser)

AA SERIES - 90mm FRAME

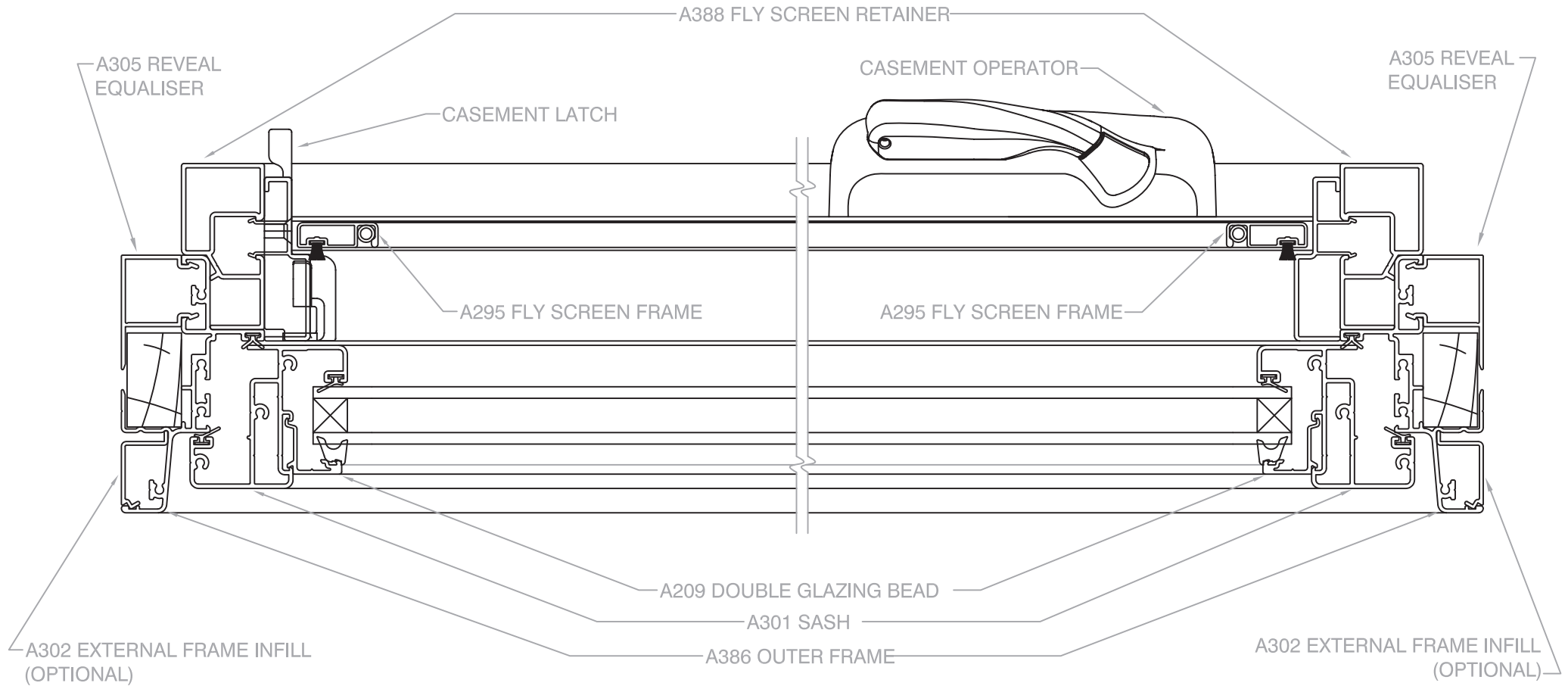


Scale 1 : 2 @ A4, Vertical Cross Section, shown with Reveal Equaliser

The intellectual property on this drawing including rights in respect of copyright & patents are owned by Rylock Pty. Ltd. All rights reserved. This drawing expires 31 December, 2018 or earlier. Visit www.rylock.com for most current version

CASEMENT, BAR OPERATED (with Reveal Equaliser)

AA SERIES - 90mm FRAME



Scale 1 : 2 @ A4, Horizontal Cross Section, shown with Reveal Equaliser

The intellectual property on this drawing including rights in respect of copyright & patents are owned by Rylock Pty. Ltd. All rights reserved. This drawing expires 31 December, 2018 or earlier. Visit www.rylock.com for most current version