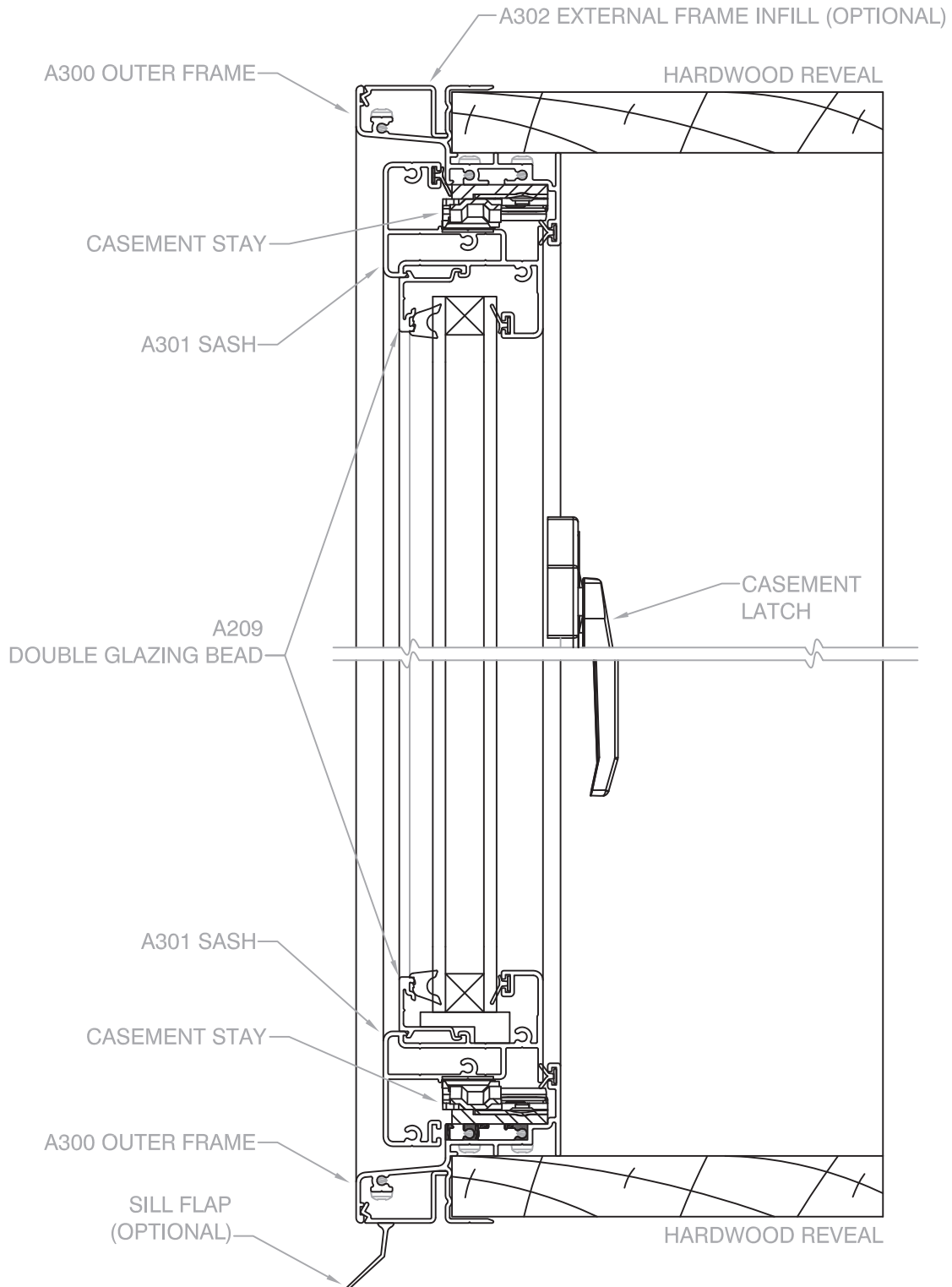


CASEMENT WINDOW

AA SERIES - 65mm FRAME

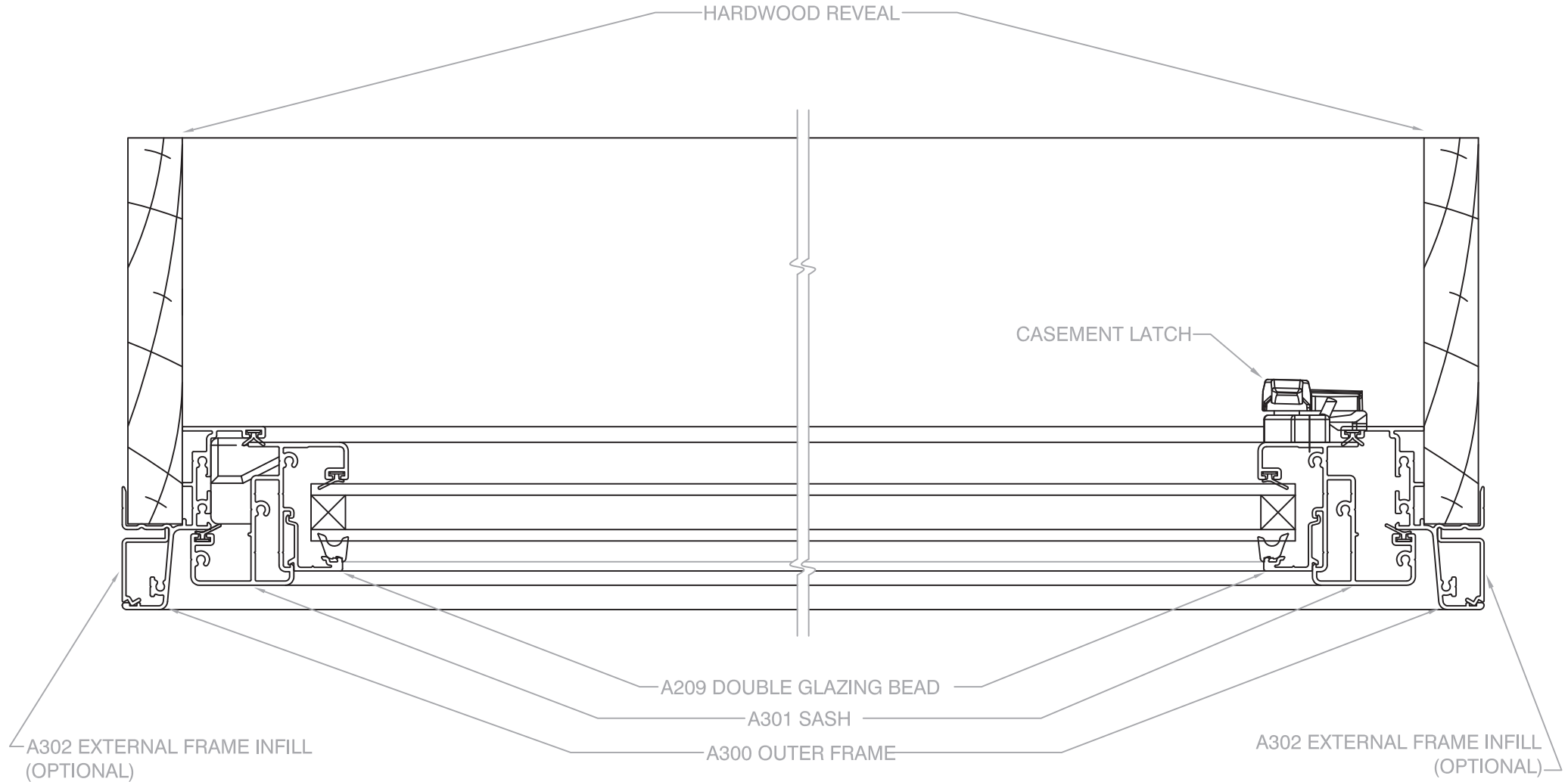


Scale 1 : 2 @ A4, Vertical Cross Section of Casement sash in 65mm frame

The intellectual property on this drawing including rights in respect of copyright & patents are owned by Rylock Pty. Ltd. All rights reserved. This drawing expires 31 December, 2018 or earlier. Visit www.rylock.com for most current version

CASEMENT WINDOW

AA SERIES - 65mm FRAME

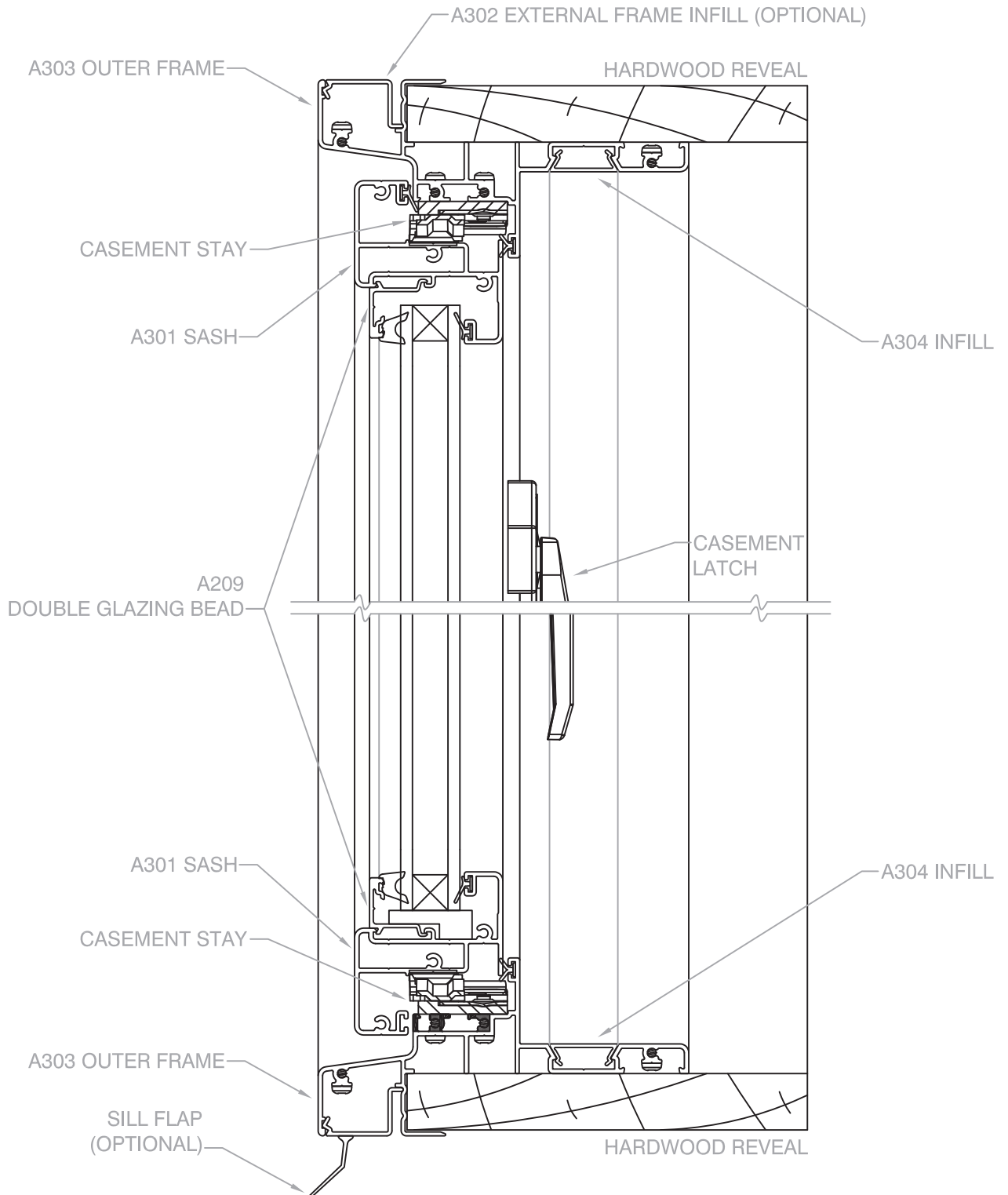


Scale 1 : 2 @ A4, Horizontal Cross Section of Casement sash in 65mm frame (>)

The intellectual property on this drawing including rights in respect of copyright & patents are owned by Rylock Pty. Ltd.
All rights reserved. This drawing expires 31 December, 2018 or earlier. Visit www.rylock.com for most current version

CASEMENT WINDOW

AA SERIES - 125mm FRAME

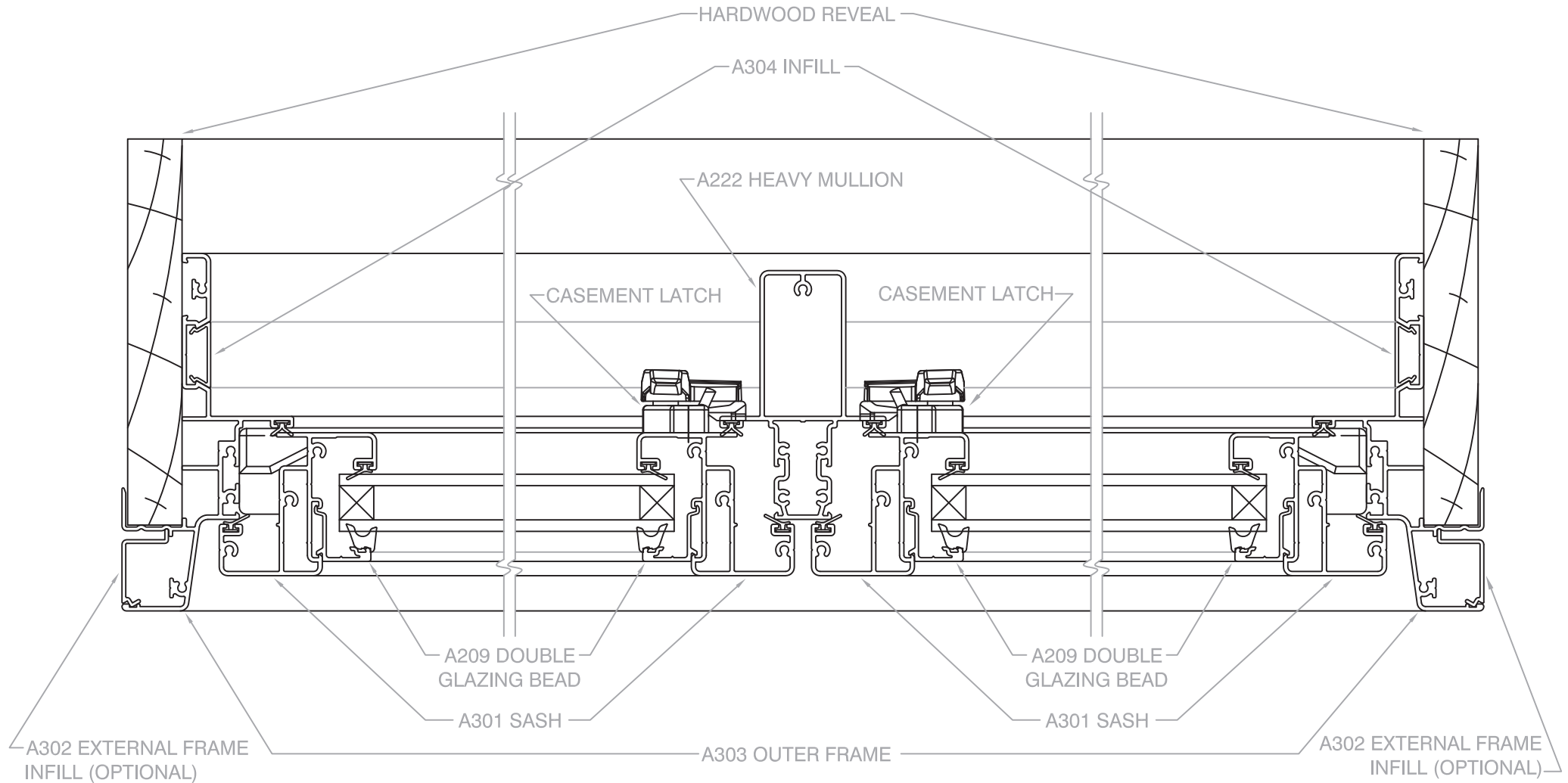


Scale 1 : 2 @ A4, Vertical Cross Section of Casement sash in 125mm frame

The intellectual property on this drawing including rights in respect of copyright & patents are owned by Rylock Pty. Ltd. All rights reserved. This drawing expires 31 December, 2018 or earlier. Visit www.rylock.com for most current version

CASEMENT WINDOW

AA SERIES - 125mm FRAME



Scale 1 : 2 @ A4, Horizontal Cross Section of double Casement sashes (><) in 125mm frame

The intellectual property on this drawing including rights in respect of copyright & patents are owned by Rylock Pty. Ltd.
All rights reserved. This drawing expires 31 December, 2018 or earlier. Visit www.rylock.com for most current version