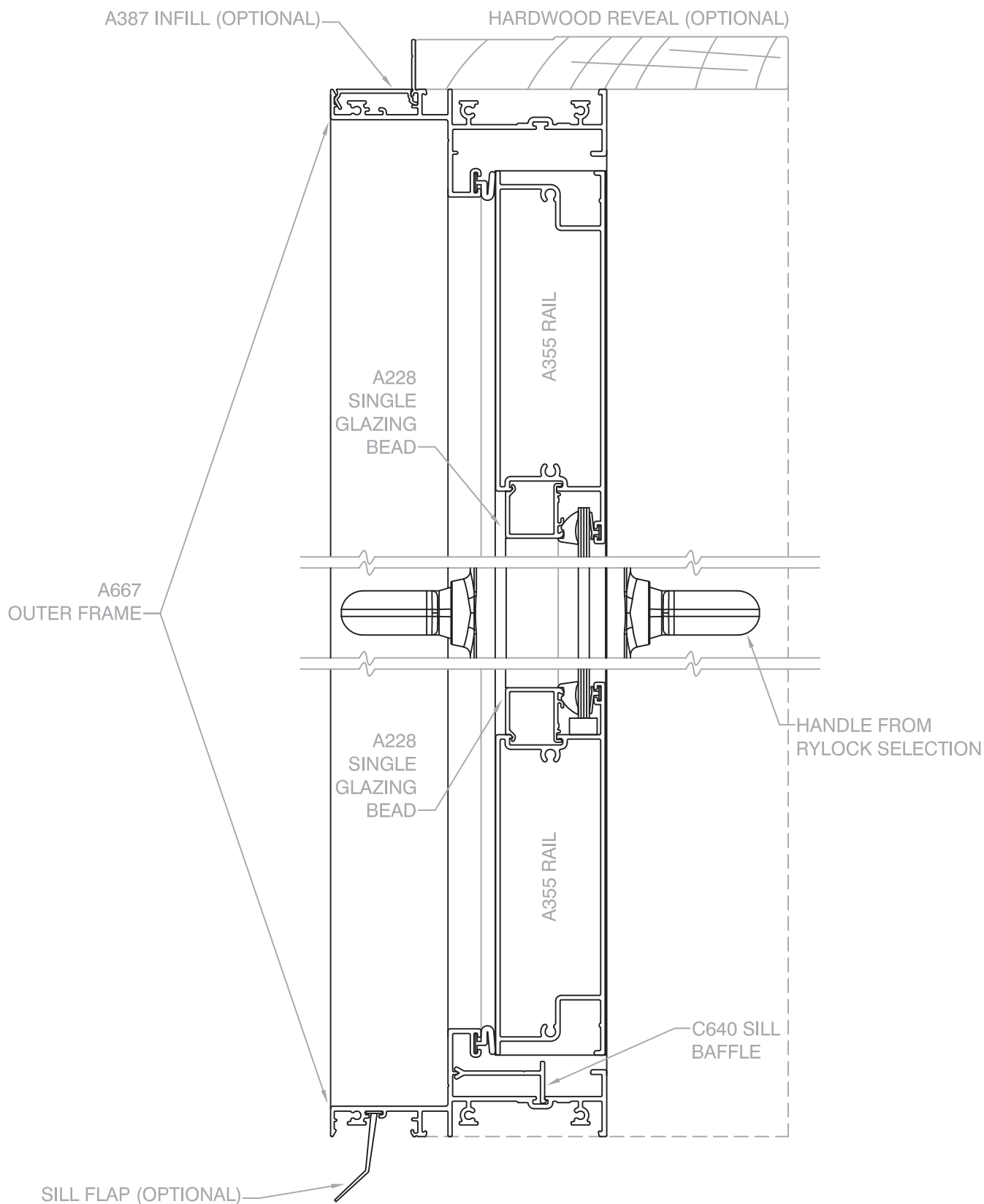


HINGED DOOR OPEN-IN

100 SERIES

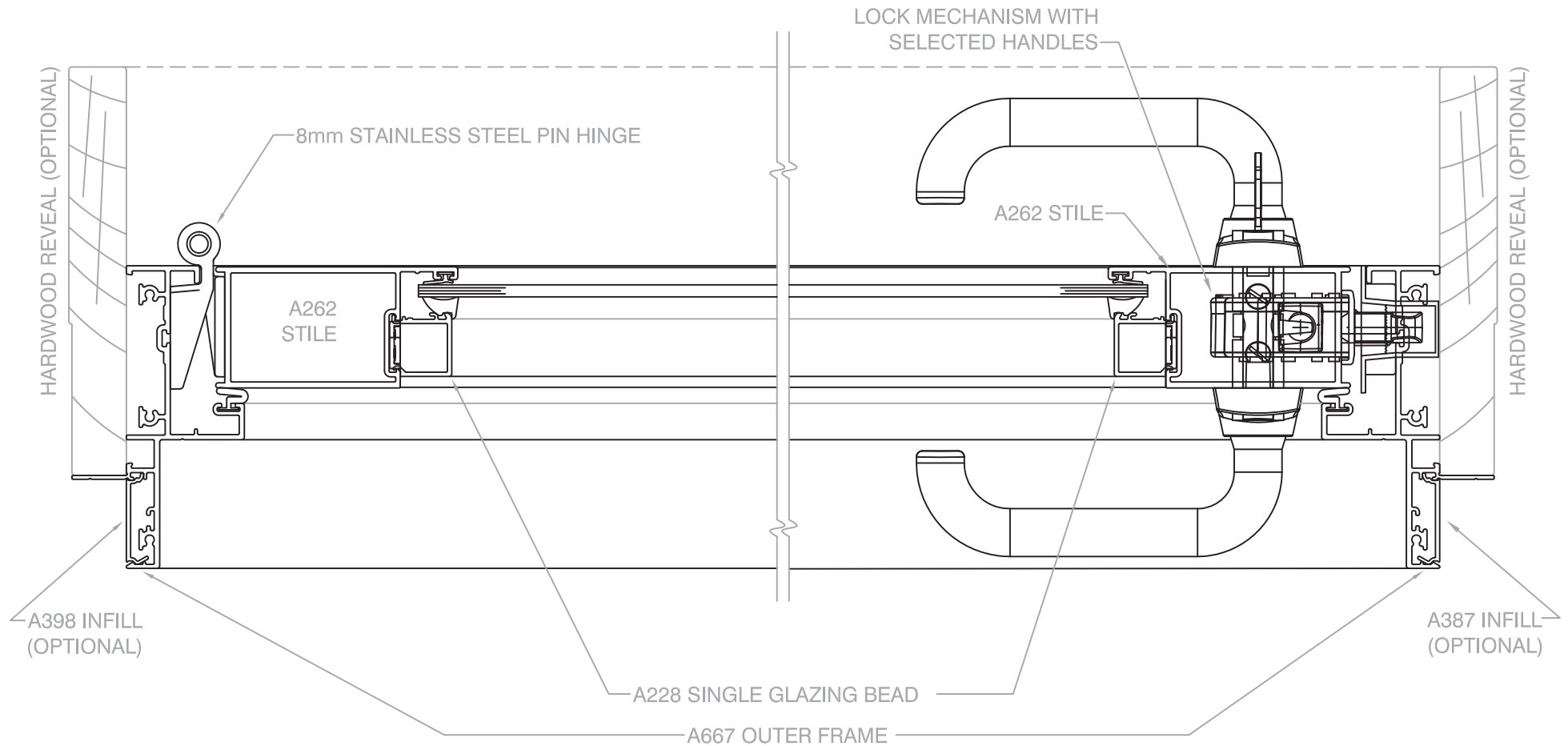


Scale 1 : 2 @ A4, Vertical Cross Section

The intellectual property on this drawing including rights in respect of copyright & patents are owned by Rylock Pty. Ltd. All rights reserved. This drawing expires 31 December, 2017 or earlier. Visit www.rylock.com for most current version

HINGED DOOR OPEN-IN

100 SERIES



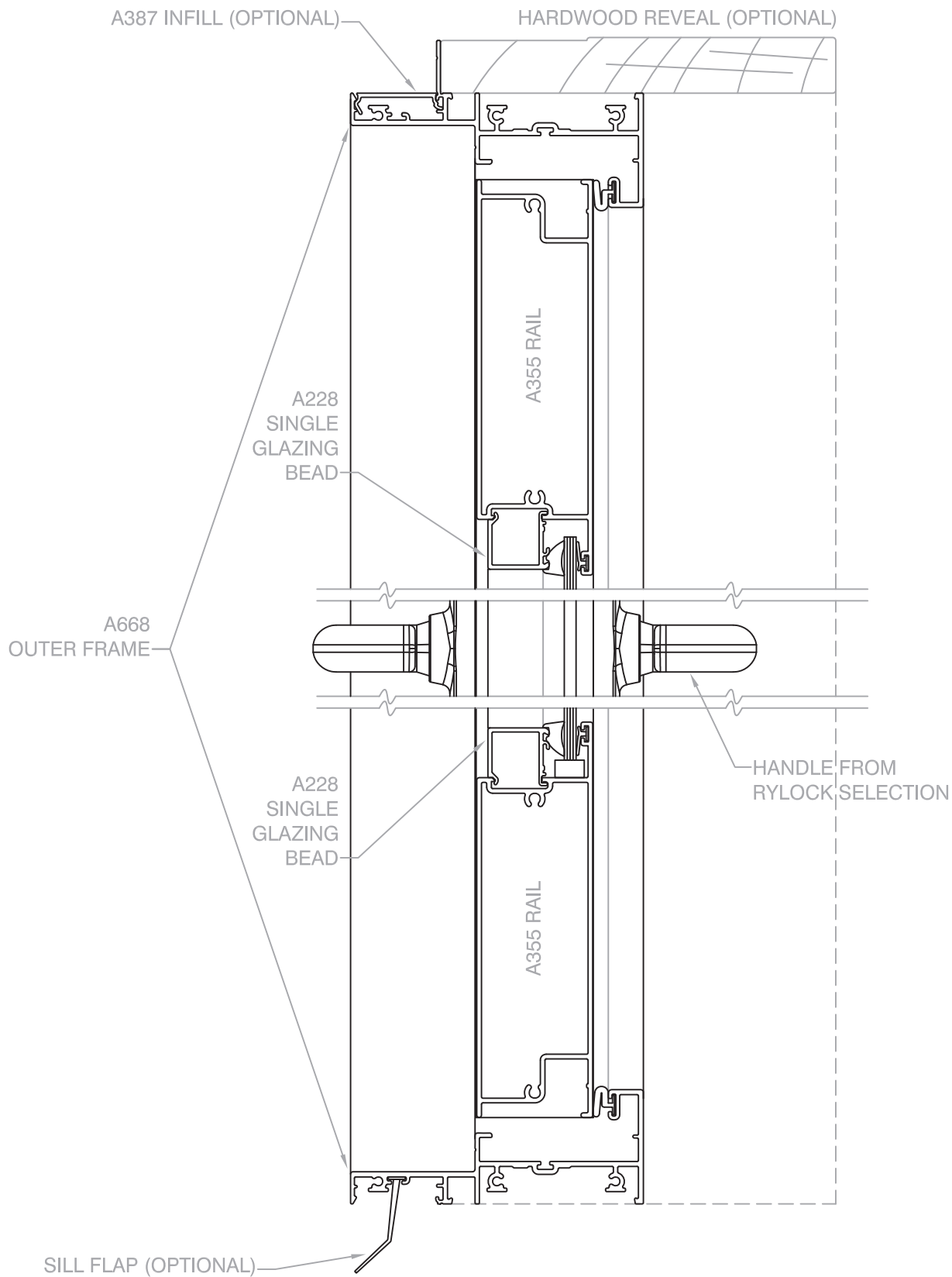
Scale 1 : 2 @ A4, Horizontal Cross Section of Single Panel Door >, Open-In

The intellectual property on this drawing including rights in respect of copyright & patents are owned by Rylock Pty. Ltd. All rights reserved. This drawings expires 31 December, 2017 or earlier. Visit www.rylock.com for most current version

HINGED DOOR OPEN-OUT



100 SERIES

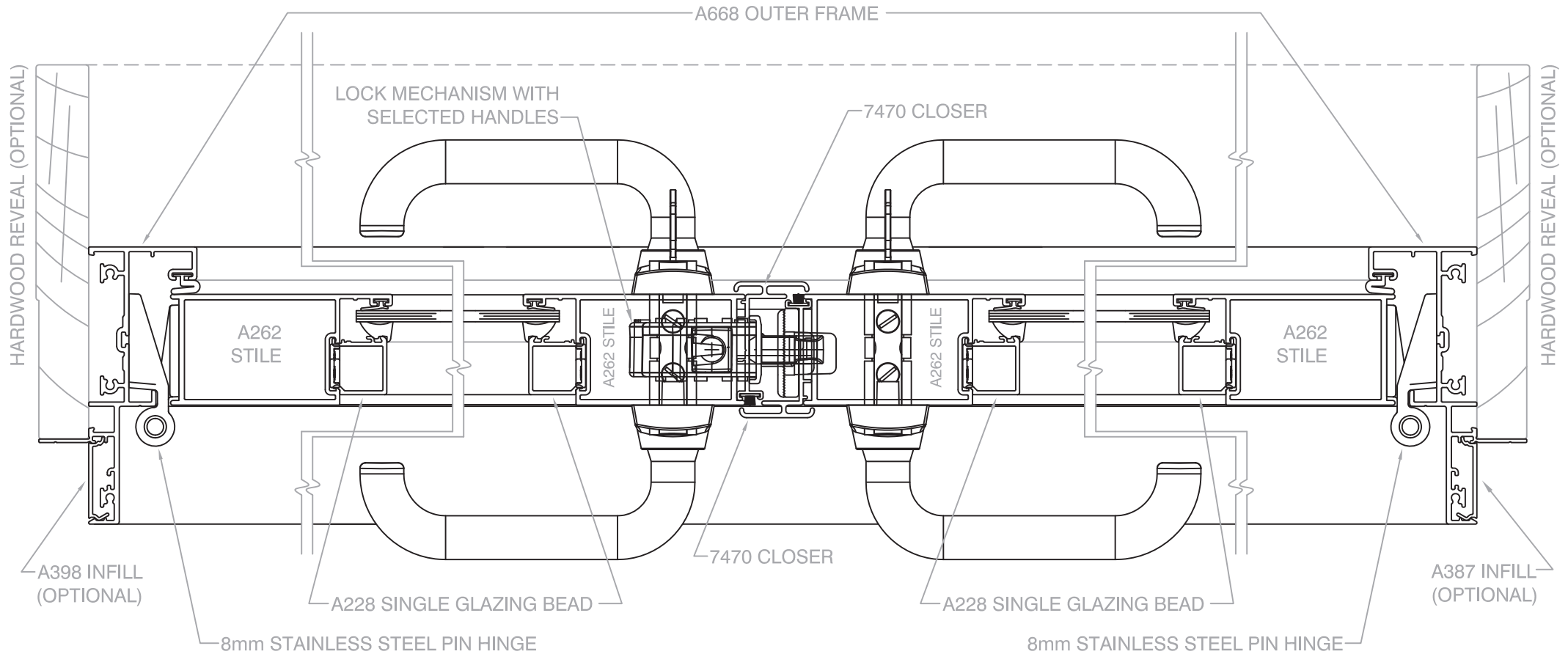


Scale 1 : 2 @ A4, Vertical Cross Section

The intellectual property on this drawing including rights in respect of copyright & patents are owned by Rylock Pty. Ltd. All rights reserved. This drawing expires 31 December, 2017 or earlier. Visit www.rylock.com for most current version

HINGED DOOR OPEN-OUT

100 SERIES



Scale 1 : 2 @ A4, Horizontal Cross Section of Single Panel Door, Open-Out

The intellectual property on this drawing including rights in respect of copyright & patents are owned by Rylock Pty. Ltd. All rights reserved. This drawings expire 31 December, 2017 or earlier. Visit www.rylock.com for most current version