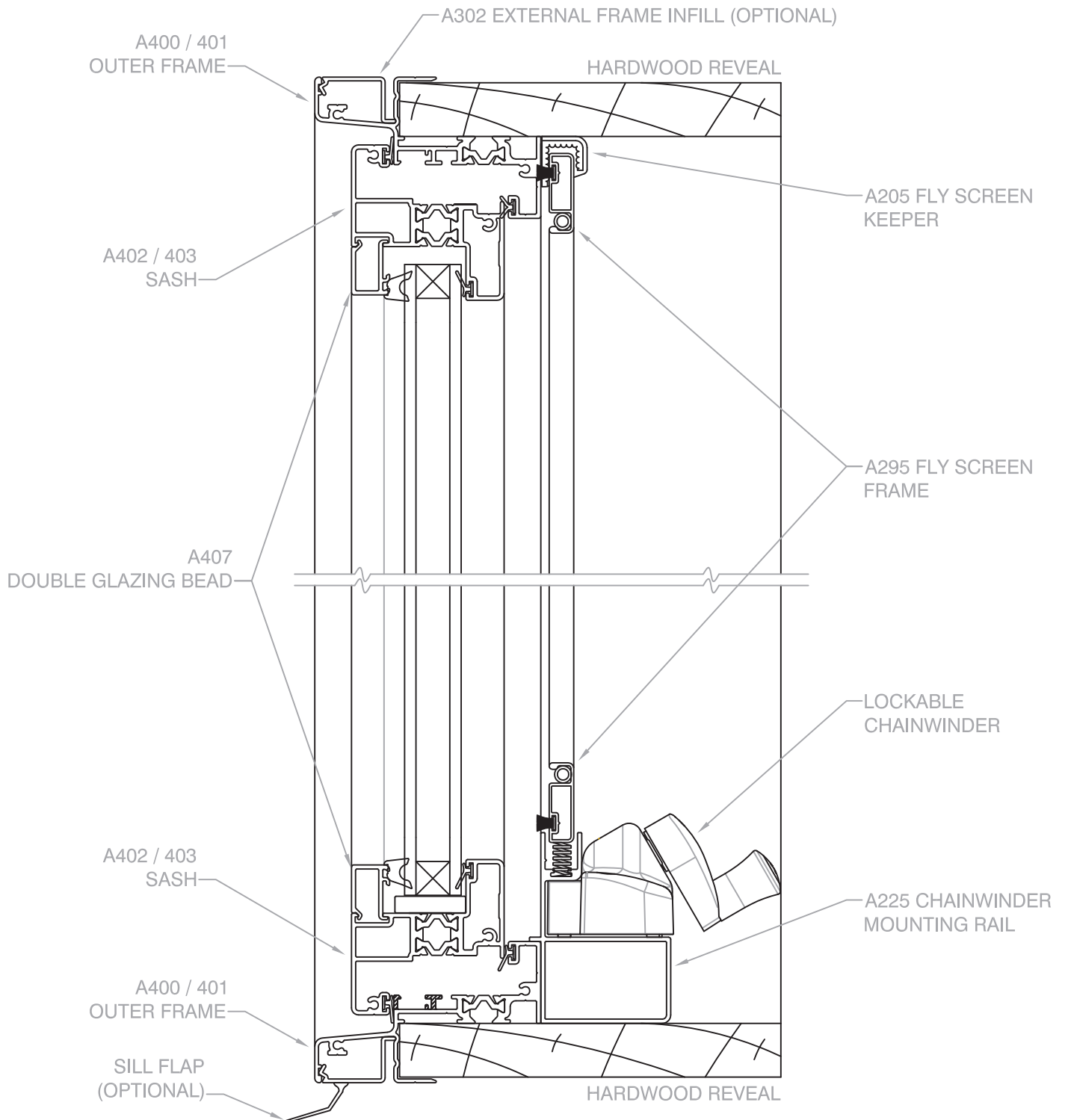


# AWNING WINDOW



**TB SERIES - 80mm FRAME** Australian Patent No: 2010101456

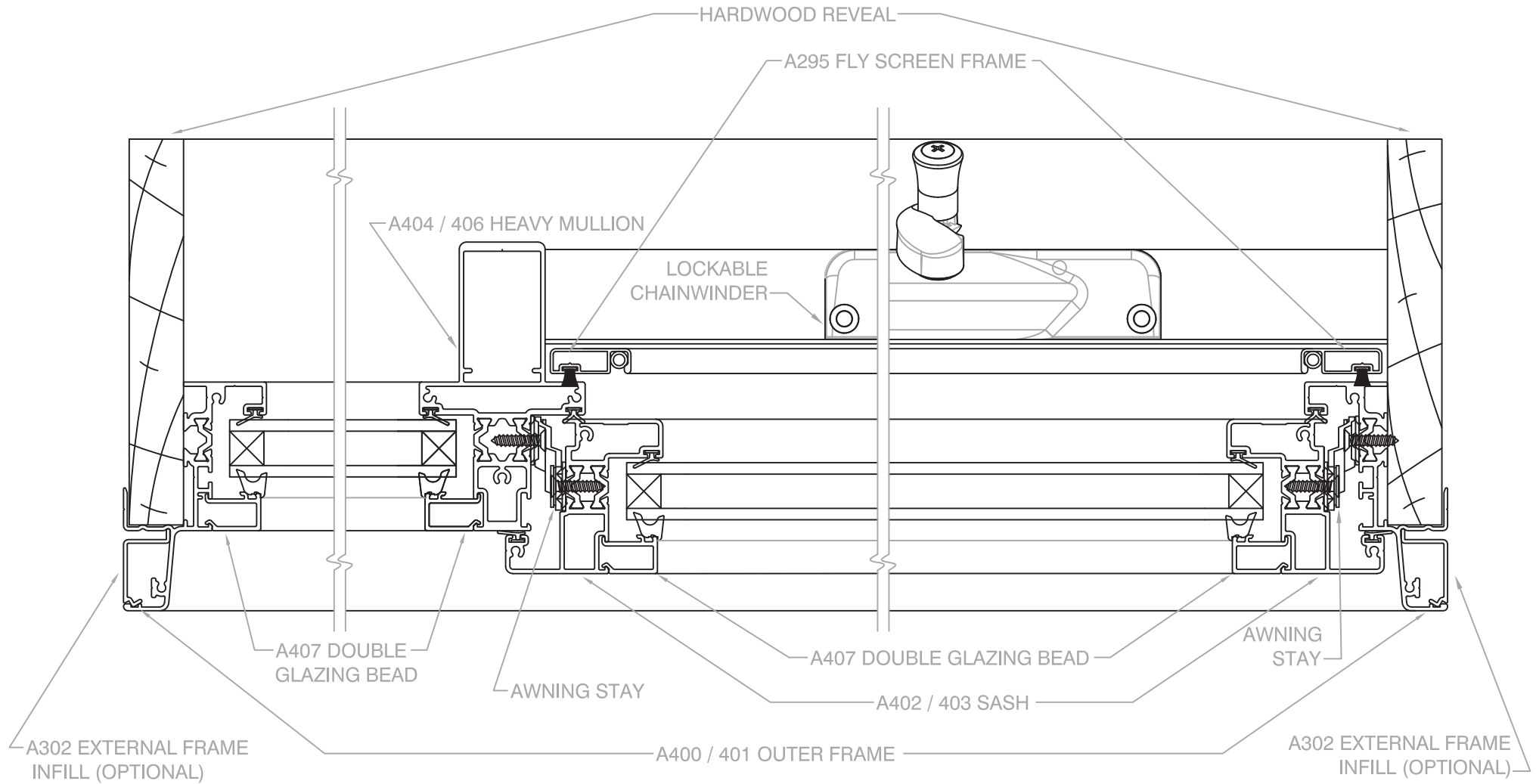


**Scale 1 : 2 @ A4, Vertical Cross Section**

The intellectual property on this drawing including rights in respect of copyright & patents are owned by Rylock Pty. Ltd. All rights reserved. This drawing expires 31 December, 2018 or earlier. Visit [www.rylock.com](http://www.rylock.com) for most current version

# AWNING WINDOW

TB SERIES - 80mm FRAME Australian Patent No: 2010101456



Scale 1 : 2 @ A4, Horizontal Cross Section of Awning next to fixed panel (OV), shown with heavy mullion

The intellectual property on this drawing including rights in respect of copyright & patents are owned by Rylock Pty. Ltd.  
All rights reserved. This drawing expires 31 December, 2018 or earlier. Visit [www.rylock.com](http://www.rylock.com) for most current version