

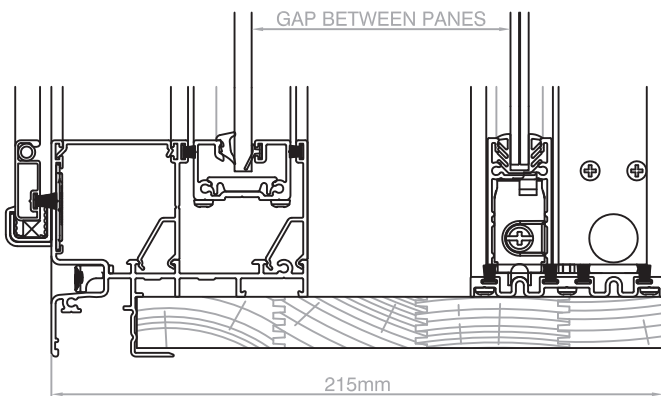
# COUNTER BALANCED DOUBLE-HUNG WINDOW



## ACOUSTIC SERIES - *Rw43* (215mm overall depth)

Rylock's Acoustic Series Counter Balanced Double-Hung Windows are designed to help minimise the entry of intrusive noise into your home. Tested for performance by CSIRO, these windows employ a series of secondary glazing panels behind double-hung windows derived from the AA Series

By spacing the secondary glazing away from the exterior frame, a gap between glass panes of around 100mm is created. In comparison to double glazing for thermal benefits, acoustic double glazing requires a much larger gap between glass panes



After-market or retro-fit systems often look like an obvious addition to the existing window. Acoustic Series products integrate both primary & secondary window elements inside the one reveal box, making for an attractive solution for noise attenuation

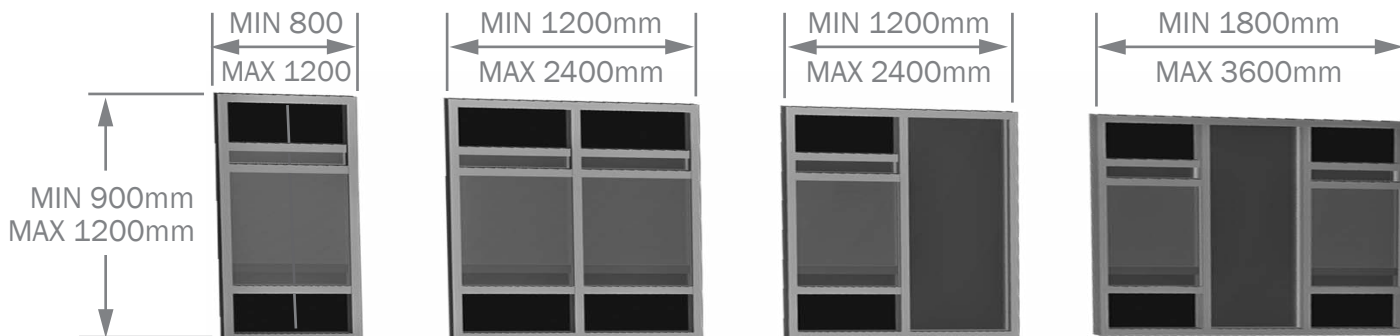


Pre-stretched, engineered rope runs through the counter balance pulleys. These rotate on sealed roller bearings, ensuring unparalleled ease of use, strength & durability

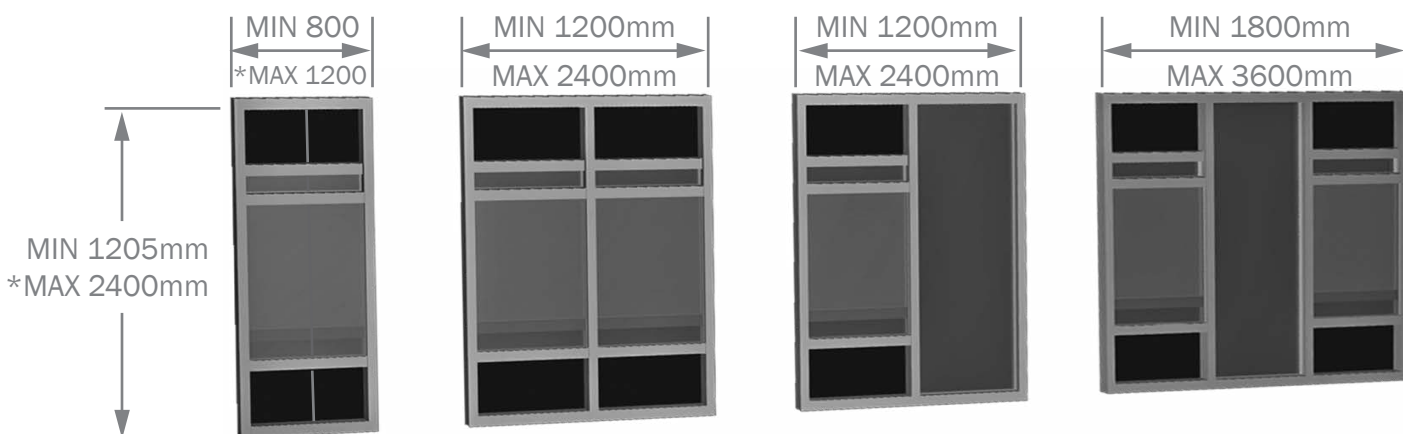
# COUNTER BALANCED DOUBLE-HUNG WINDOW



## ACOUSTIC SERIES - Rw43 (215mm overall depth)



UP TO 1200mm HIGH: FOR 1 & 2 PANEL WINDOWS A MAXIMUM HEIGHT-WIDTH (PANEL) RATIO of **3:2** MUST BE ADHERED TO, WHILST THE 3 PANEL WINDOW HEIGHT-WIDTH (PANEL) RATIO IS **1:1** MAXIMUM



OVER 1200mm HIGH: FOR 1 & 2 PANEL WINDOWS A MAX. HEIGHT-WIDTH (PANEL) RATIO of **2:1** MUST BE ADHERED TO. THE 3 PANEL WINDOW H-W (PANEL) RATIO IS **4:3** MAX. \*EG: single CBDH 2400mm high must be 1200mm wide

**NOTE:** ALL SIZES ARE TYPICAL RATHER THAN DEFINITIVE. FOR SIZES OUTSIDE OF THESE, PLEASE DISCUSS WITH YOUR SALES CONSULTANT. SINGLE WINDOWS WILL BE SPLIT VERTICALLY BY THE SECONDARY GLAZING FRAME (IN THE CENTRE). PRIMARY SASH WIDTH CAN **NEVER** EXCEED PRODUCT HEIGHT

### Sizing

Window style & opening detail should be considered as viewed externally  
 Sizes indicated are the overall window size. Reveal is inline with outer frame dimension  
 For Stud openings add 20mm to both height & width

### Glazing

Glazing strength to minimum N3 rating. External glazing is 6mm, internal glazing is 6.38mm laminated

### Performance

Performance Index Number Rw: 43

### Certification

Certified performance data (from CSIRO) for Rw, STC & Rw+Ctr are available for this product on request

### Specify

Frame colour, configuration, height, width & overall depth (minimum 215mm due to acoustic spacing between panes)  
 Optional: handle height, restricted opening, fly screen, mesh type, external frame infill, sill flap, external glass type

The above product sizes comply with structural requirements (AS2047-2014, *Windows and external glazed doors in buildings*) for an 'N1' wind rating (AS4055-2012, *Wind loads for housing*).

This is typical of sites in suburban areas. In addition, the location has a Terrain Category of 3, is Topographic Class 1 or 2 and assumes the building will be surrounded by others of similar size.

Please specify if your site has different characteristics to any of those listed. Your building professional (architect, designer, surveyor, engineer, builder, etc.) can often assist with such determinations.