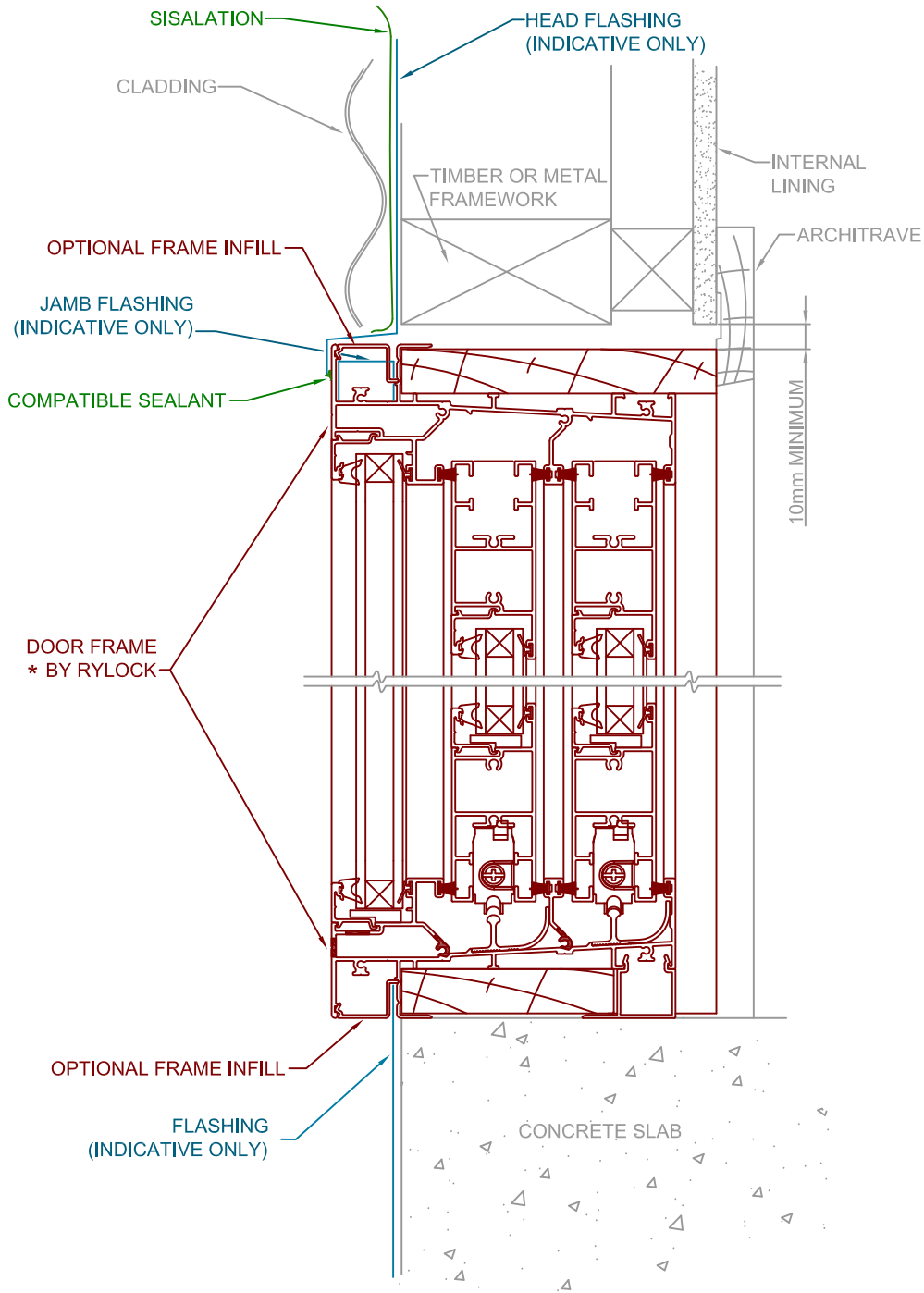
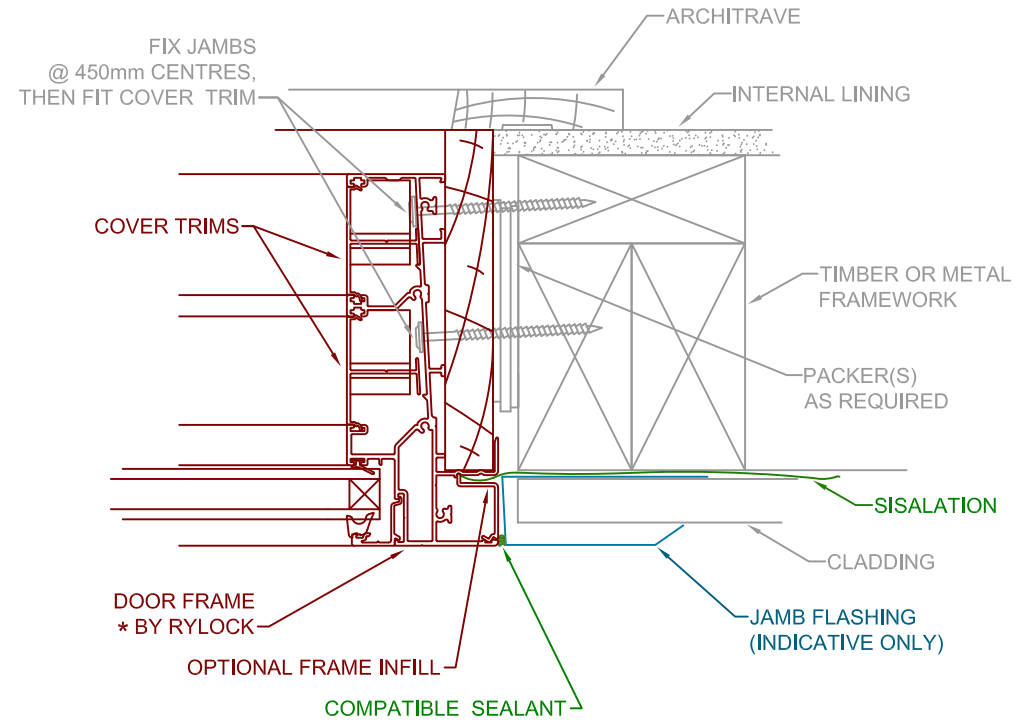


## HEAD & SILL DETAIL

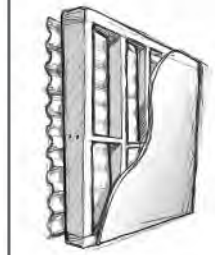


## JAMB DETAIL



SCALE 1 : 3 @ A4

\* All detail other than "by Rylock" as per builder



### TYPICAL BUILDING IN DETAIL

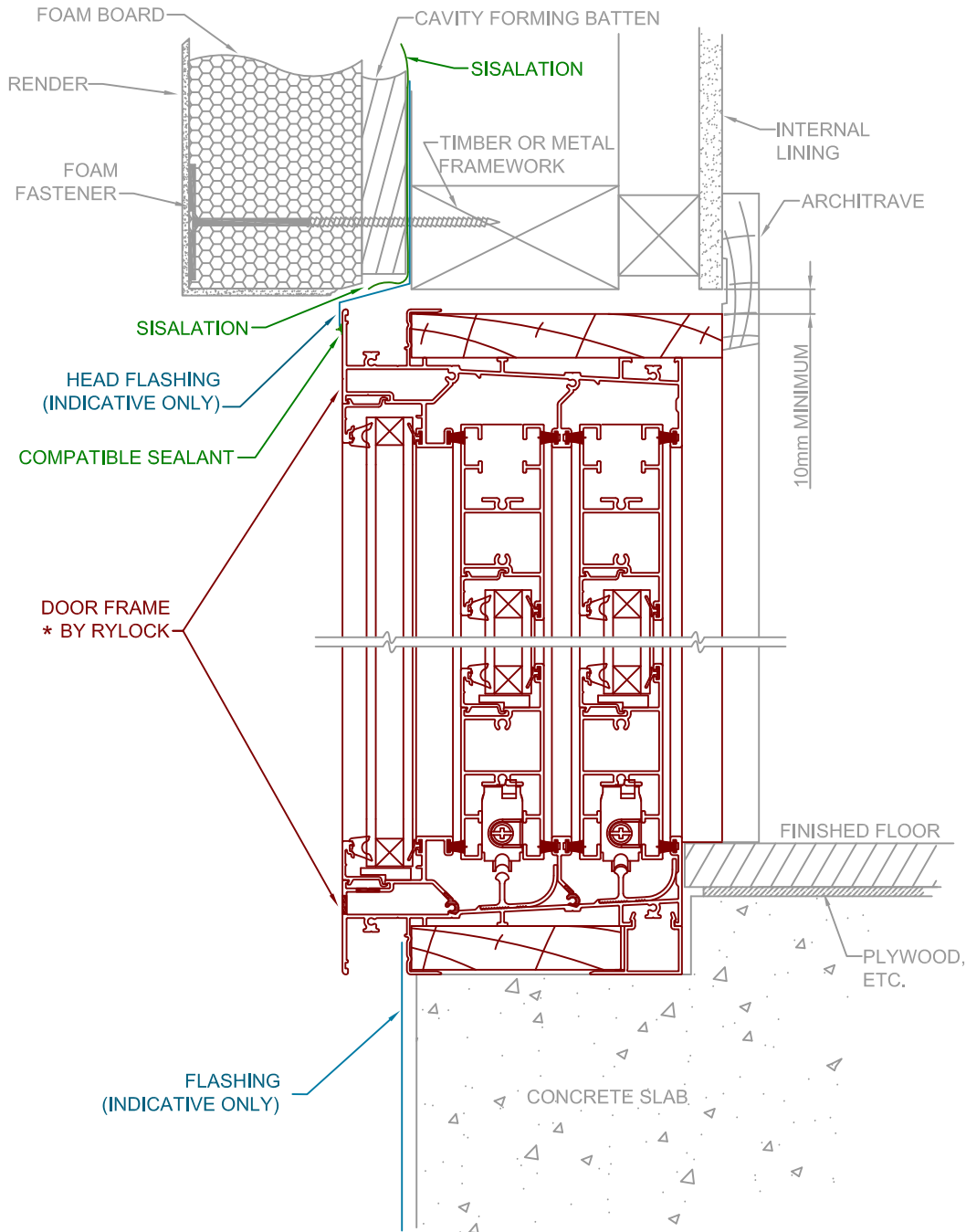
AA Series  
150mm Frame Doors  
(3 & 6 Panel Stacker Doors Illustrated)



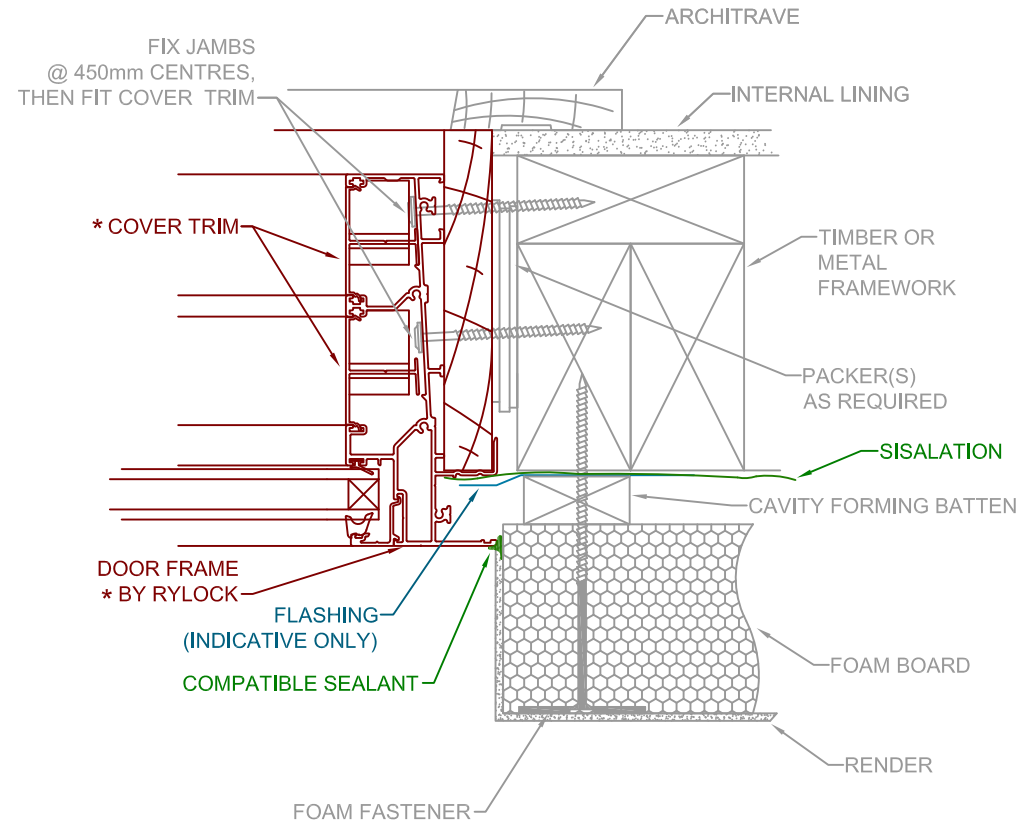
### SINGLE LEAF CLADDING / CORRUGATED STEEL

The intellectual property on this drawing including rights in respect of copyright and patents are owned by Rylock Pty. Ltd. All rights reserved. Refer to relevant Standards & Codes for individual flashing & waterproofing requirements, which may include - but are not limited to - (the current) National Construction Code, AS2047 Windows in Small Buildings - Selection & Installation, AS4773 Masonry in Small Buildings, AS4654 Waterproofing Membrane Systems for Exterior Use, etc. This drawing expires 31 December 2015 or earlier. Visit [rylock.com](http://rylock.com) for current version

## HEAD & SILL DETAIL



## JAMB DETAIL



SCALE 1 : 3 @ A4

\* All detail other than "by Rylock" as per builder



### TYPICAL BUILDING IN DETAIL

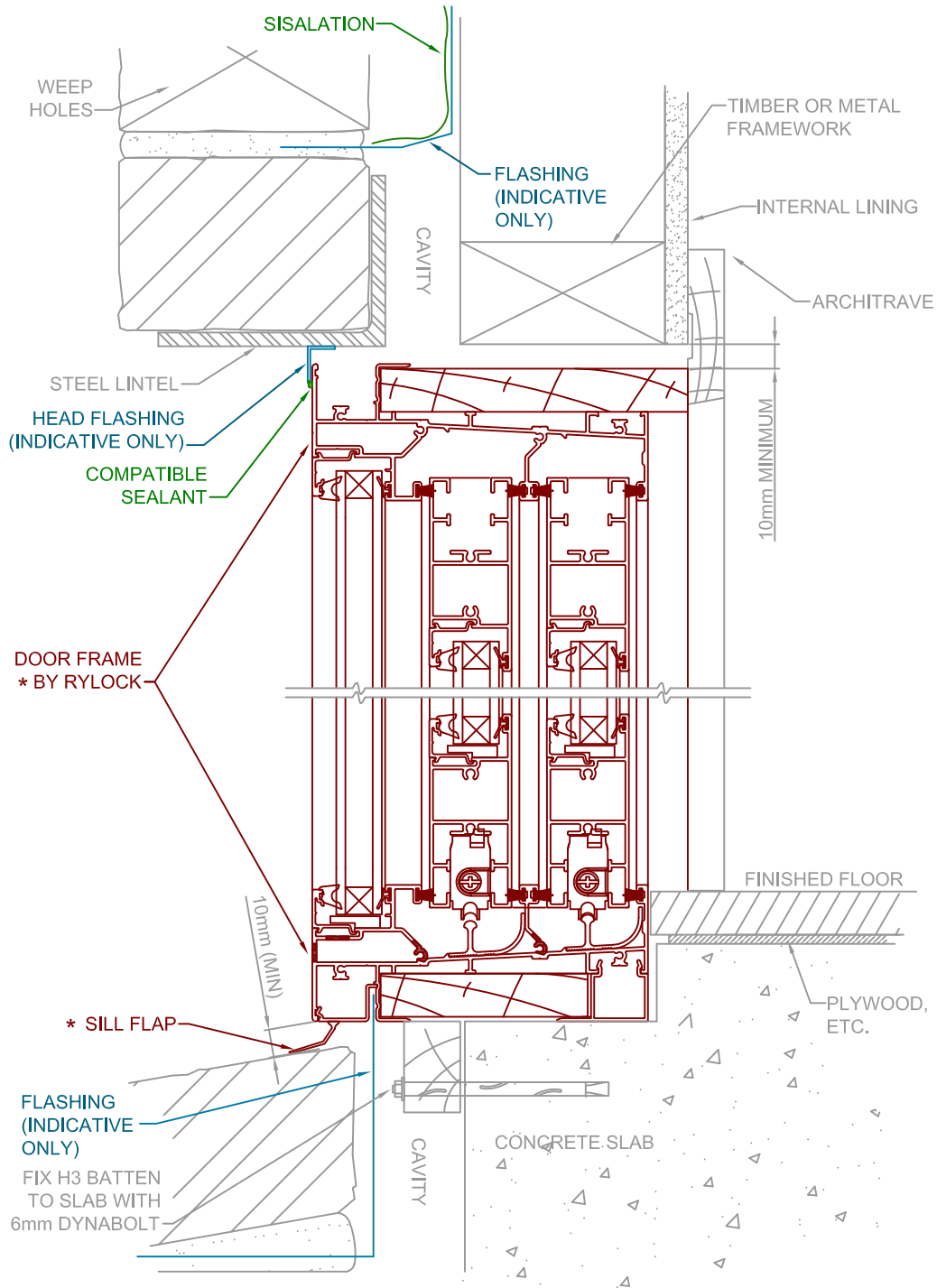
AA Series  
150mm Frame Doors  
(3 & 6 Panel Stacker Doors Illustrated)

### SINGLE LEAF CLADDING / FOAM BOARD

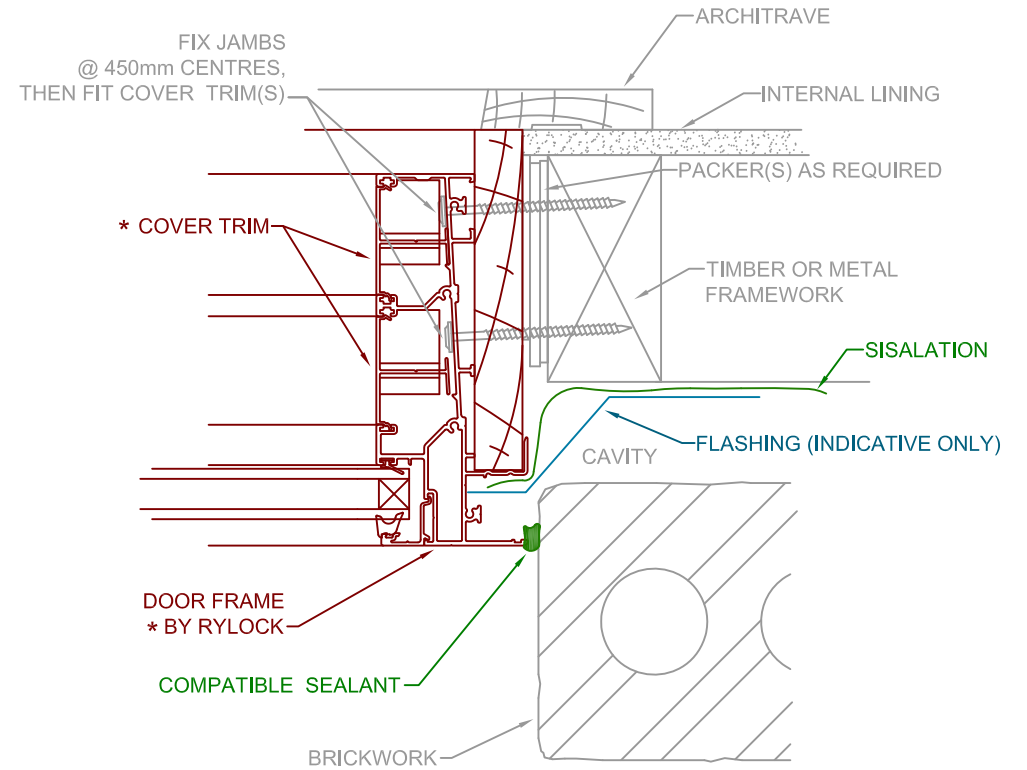


The intellectual property on this drawing including rights in respect of copyright and patents are owned by Rylock Pty. Ltd. All rights reserved. Refer to relevant Standards & Codes for individual flashing & waterproofing requirements, which may include - but are not limited to - (the current) National Construction Code, AS2047 Windows in Small Buildings - Selection & Installation, AS4773 Masonry in Small Buildings, AS4654 Waterproofing Membrane Systems for Exterior Use, etc. This drawing expires 31 December 2015 or earlier. Visit [rylock.com](http://rylock.com) for current version

## HEAD & SILL DETAIL



## JAMB DETAIL



SCALE 1 : 3 @ A4

\* All detail other than "by Rylock" as per builder



### TYPICAL BUILDING IN DETAIL

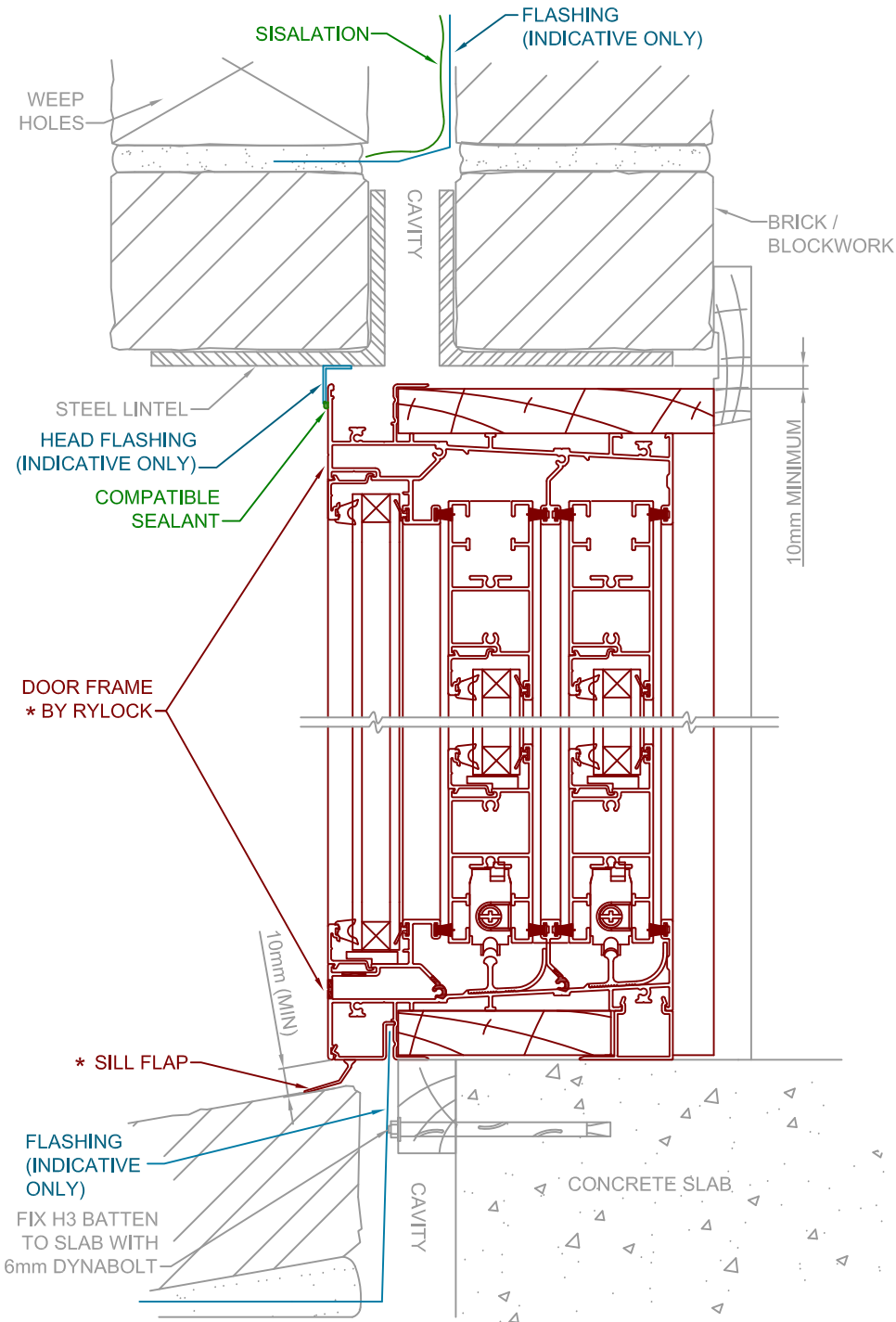
AA Series  
150mm Frame Doors  
(3 & 6 Panel Stacker Doors Illustrated)

### BRICK VENEER CONSTRUCTION

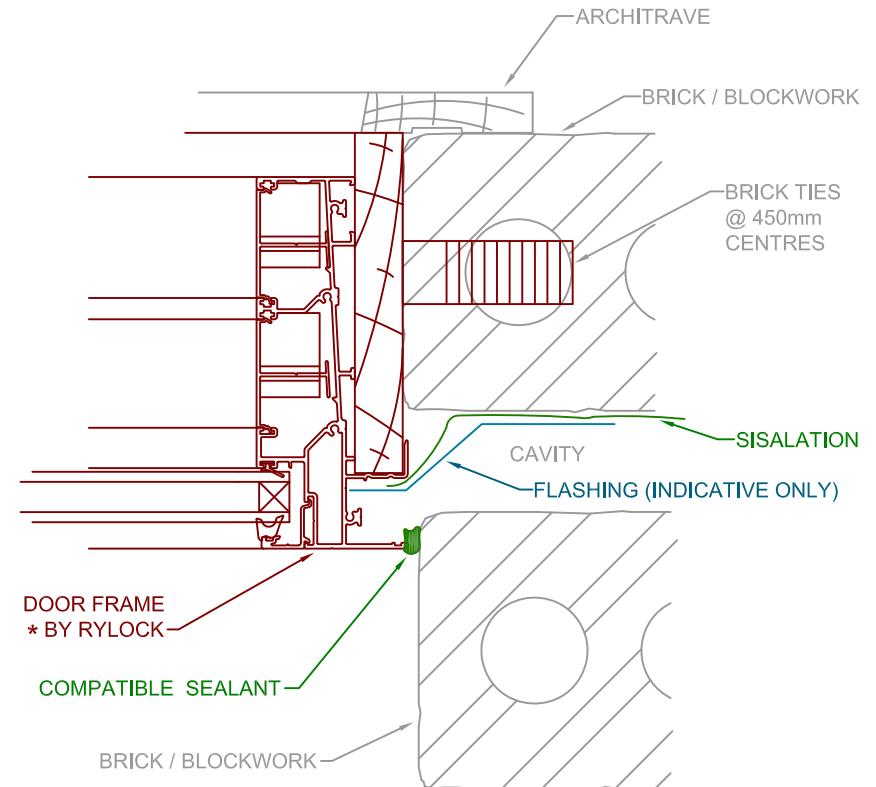


The intellectual property on this drawing including rights in respect of copyright and patents are owned by Rylock Pty. Ltd. All rights reserved. Refer to relevant Standards & Codes for individual flashing & waterproofing requirements, which may include - but are not limited to - (the current) National Construction Code, AS2047 Windows in Small Buildings - Selection & Installation, AS4773 Masonry in Small Buildings, AS4654 Waterproofing Membrane Systems for Exterior Use, etc. This drawing expires 31 December 2015 or earlier. Visit [rylock.com](http://rylock.com) for current version

## HEAD & SILL DETAIL



## JAMB DETAIL



SCALE 1 : 3 @ A4

\* All detail other than "by Rylock" as per builder



### TYPICAL BUILDING IN DETAIL

AA Series  
150mm Frame Doors  
(3 6 Panel Stacker Doors Illustrated)

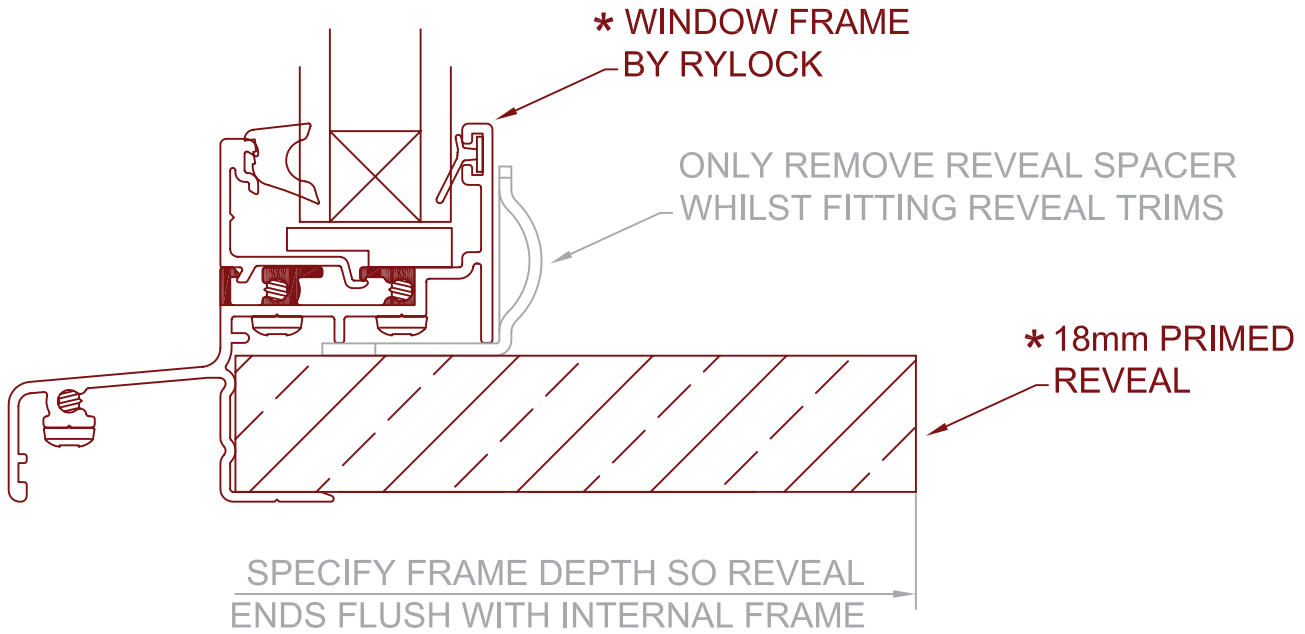
### CAVITY BRICK / BLOCKWORK



The intellectual property on this drawing including rights in respect of copyright and patents are owned by Rylock Pty. Ltd. All rights reserved. Refer to relevant Standards & Codes for individual flashing & waterproofing requirements, which may include - but are not limited to - (the current) National Construction Code, AS2047 Windows in Small Buildings - Selection & Installation, AS4773 Masonry in Small Buildings, AS4654 Waterproofing Membrane Systems for Exterior Use, etc. This drawing expires 31 December 2015 or earlier. Visit rylock.com for current version

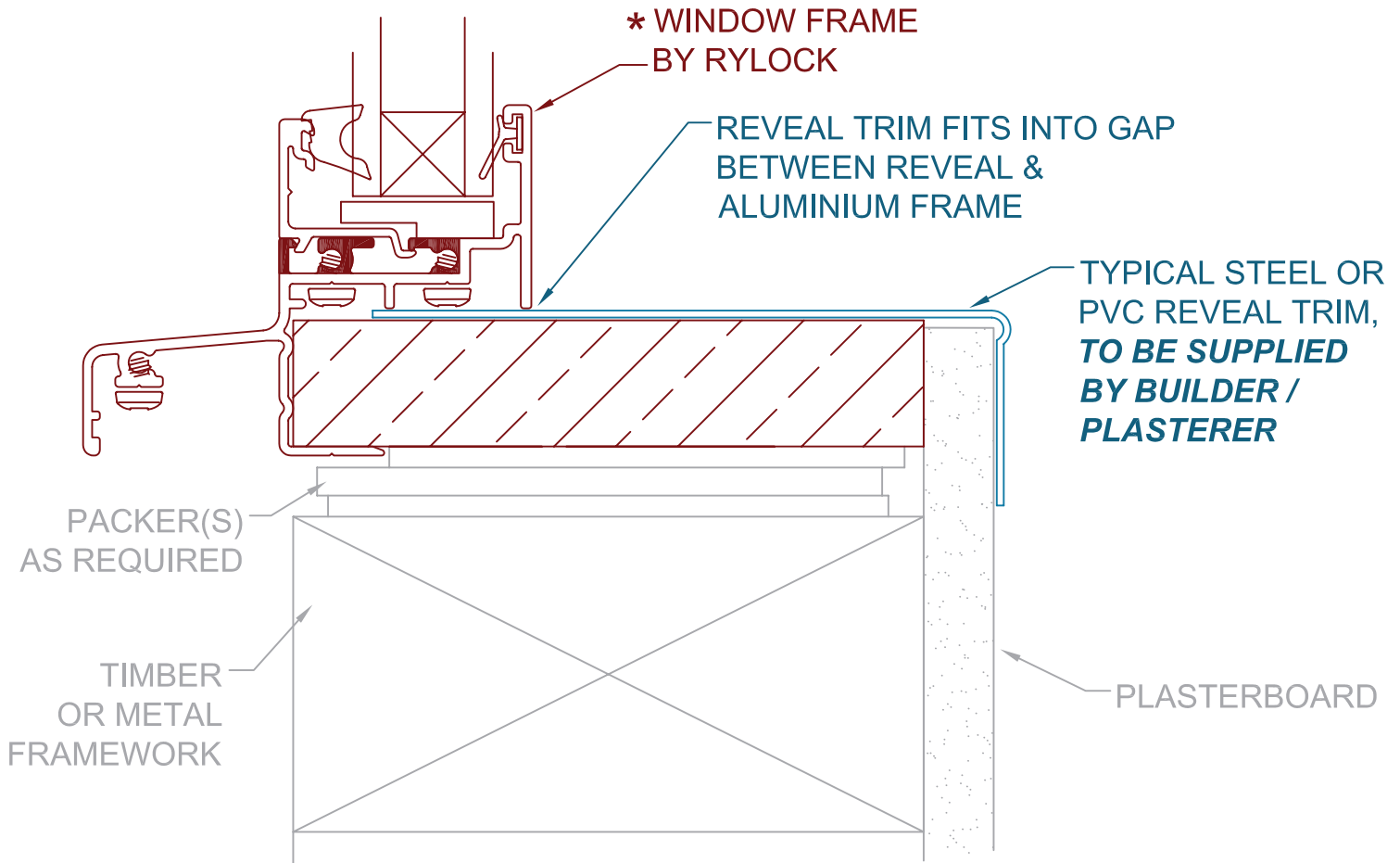
# PLASTER REVEAL DETAIL

AA SERIES - TO SUIT ALL FRAME SIZES, 65mm ILLUSTRATED



SHOWN ABOVE, AS DELIVERED

SHOWN BELOW, FOLLOWING INSTALLATION



Scale 1 : 1 @ A4, Vertical Cross Section

\* All detail other than "by Rylock" as per builder

## **Considerations in Flashings & Waterproofing**

### ***What do flashings do?***

A flashing is much more than a trim designed to improve appearance. Flashings help prevent moisture from entering the building envelope by deflecting water around penetrations. Some flashings shed the moisture created through condensation from within cavity walls. Any internal moisture can lead to structural rot, or mould within living areas. Flashings are typically fitted wherever there are penetrations through walls or roofs. Building wrap or sill flaps are *not* flashings by themselves.

### ***What are flashings made from?***

Flashings need to absorb any building movement and often need to be formed around building elements. Consequently, they need some inherent flexibility. Typical sheet metal materials include galvanized steel, copper, lead, powder coated aluminium & ColorBond coated steel. Care must be taken when choosing metal flashings to prevent any electrochemical corrosion between dissimilar elements within the flashings, window/door frames and/or cladding(s). Plastic membranes are also popular for flashings, and are available in a variety of sizes. Liquid membrane systems are not flashings, but help block water where hard external wet areas (for example a tiled balcony) meet door sills.

### ***Where do flashings get fitted?***

Flashings are typically fitted at the head, jambs & sill of all windows & doors. The head flashing is critical, as any water *not* deflected here may track down into the building. Head flashings should overhang the sides of any window or door, by differing amounts based on wall construction.

Jamb flashings prevent driven rain from working in around windows and doors, and also continue to exclude water previously deflected off the head flashing. Rylock have an optional 'frame infill' which mimics the rebate found in timber windows for such flashings. This infill may be specified where it is deemed helpful to the flashing process.

Sill flashings prevent driven rain from entering under windows or doors. In sequence, they are also the exit point for water that has been deflected off the head flashing and onto the product, or diverted from the jamb flashings themselves. Sill flashings for doors prevent water from being drawn into subfloor areas or being absorbed into the slab foundation.

### ***Who designs and fits flashings?***

Flashings are designed by architects, designers, drafts-people or specified onsite by the builder. Flashing design needs to consider the specific product being fitted, its overall depth, any cavity dimension & the size / tolerance of the frame. Flashings need to be fitted by – or under the supervision of - the builder, as they need to be installed at different times during the build.

### ***What codes do flashings & waterproof membranes need to meet?***

Designers or builders need to refer to relevant Standards and Codes for individual flashing and waterproofing requirements, which may include – but are not limited to – (the current) National Construction Code, AS2047 Windows in Small Buildings – Selection and Installation, AS4773 Masonry in Small Buildings, AS4654 Waterproofing Membrane Systems for Exterior Use, etc.