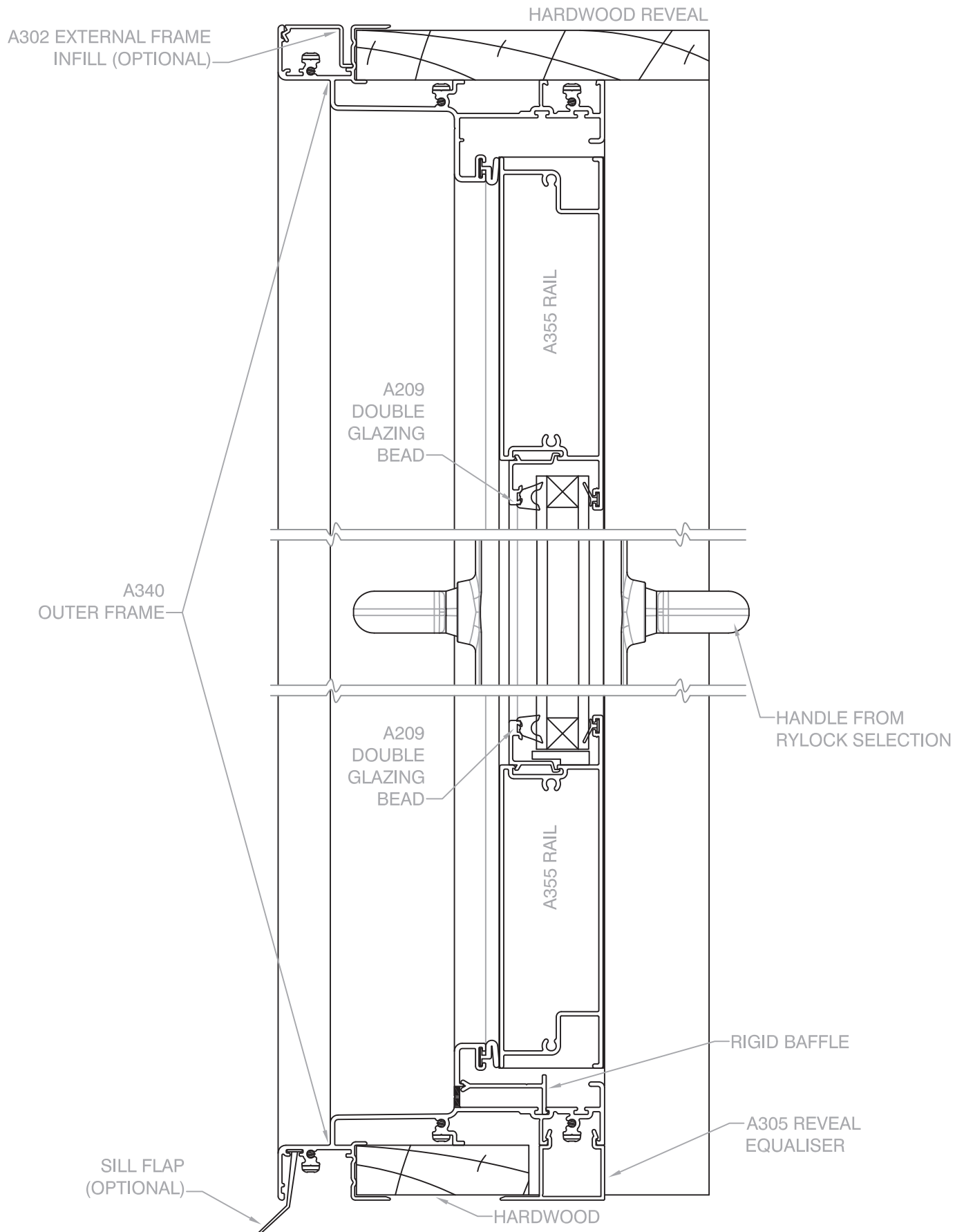


HINGED DOOR OPEN-IN

AA SERIES - 125mm FRAME

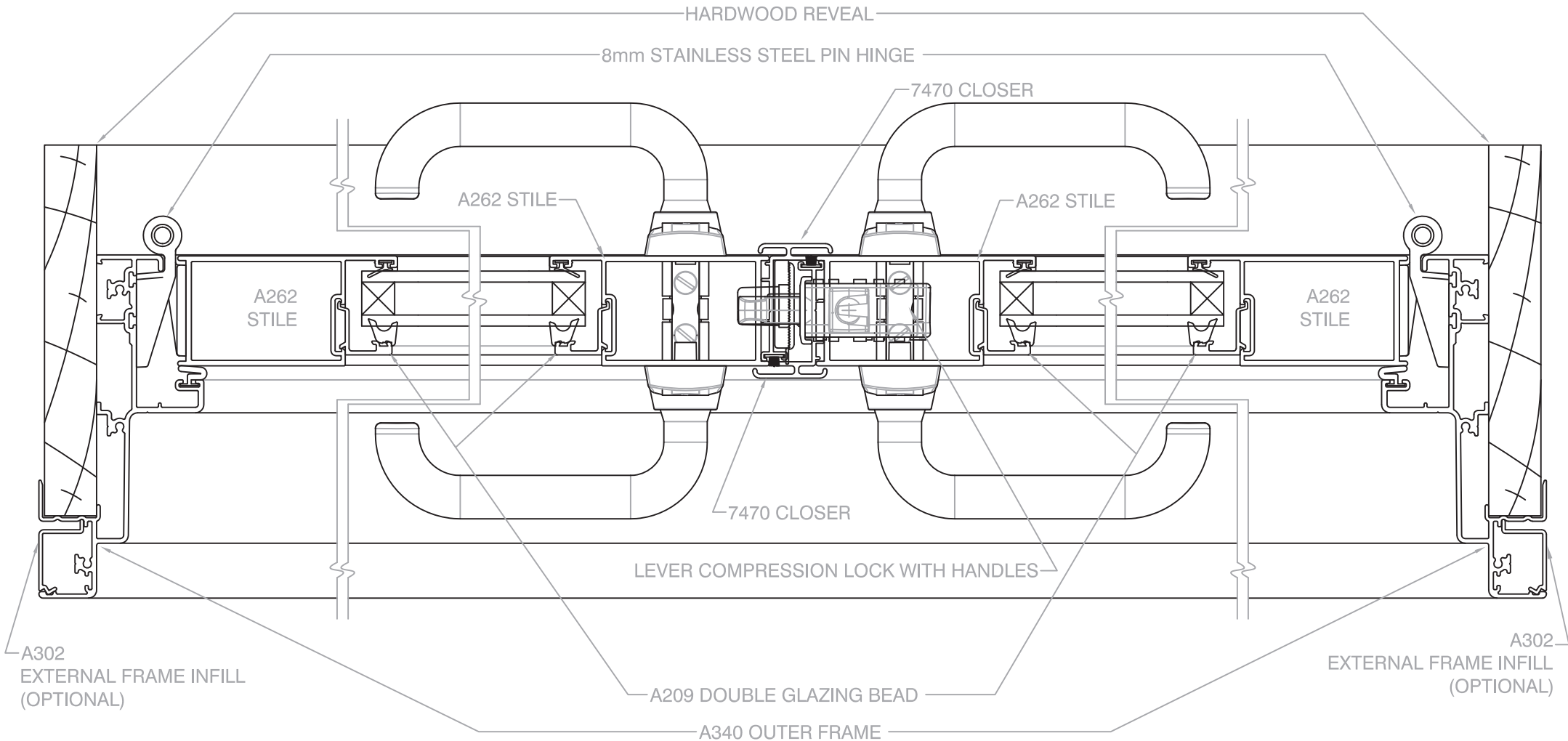


Scale 1 : 2 @ A4, Vertical Cross Section

The intellectual property on this drawing including rights in respect of copyright & patents are owned by Rylock Pty. Ltd. All rights reserved. This drawing expires 31 December, 2018 or earlier. Visit www.rylock.com for most current version

HINGED DOOR OPEN-IN

AA SERIES - 125mm FRAME

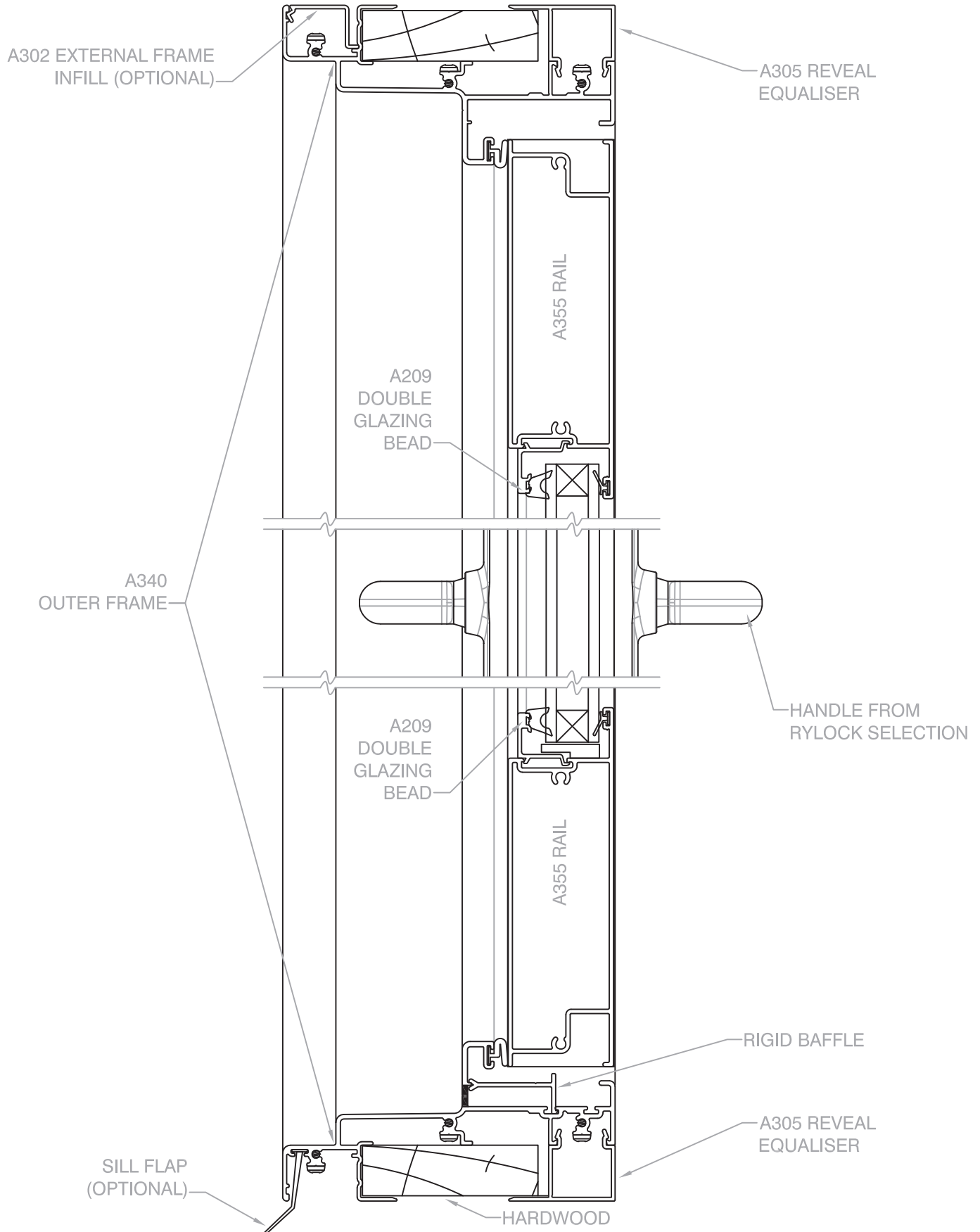


Scale 1 : 2 @ A4, Horizontal Cross Section of French Doors, Open-In (><)

The intellectual property on this drawing including rights in respect of copyright & patents are owned by Rylock Pty. Ltd. All rights reserved. This drawings expires 31 December, 2018 or earlier. Visit www.rylock.com for most current version

HINGED DOOR OPEN-IN (with Reveal Equaliser)

AA SERIES - 125mm FRAME



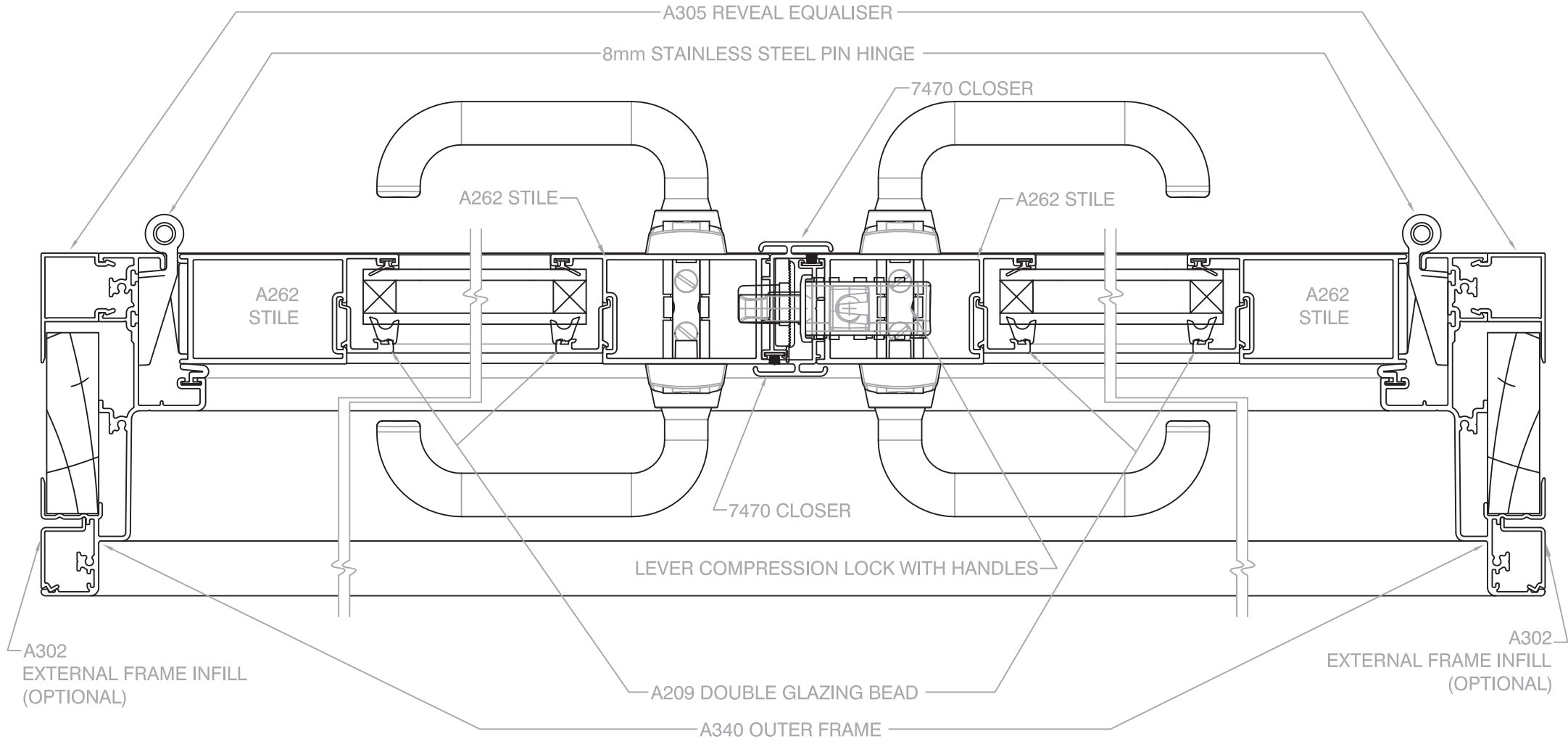
Scale 1 : 2 @ A4, Vertical Cross Section, shown with Reveal Equaliser

The intellectual property on this drawing including rights in respect of copyright & patents are owned by Rylock Pty. Ltd. All rights reserved. This drawing expires 31 December, 2018 or earlier. Visit www.rylock.com for most current version

HINGED DOOR OPEN-IN (with Reveal Equaliser)



AA SERIES - 125mm FRAME



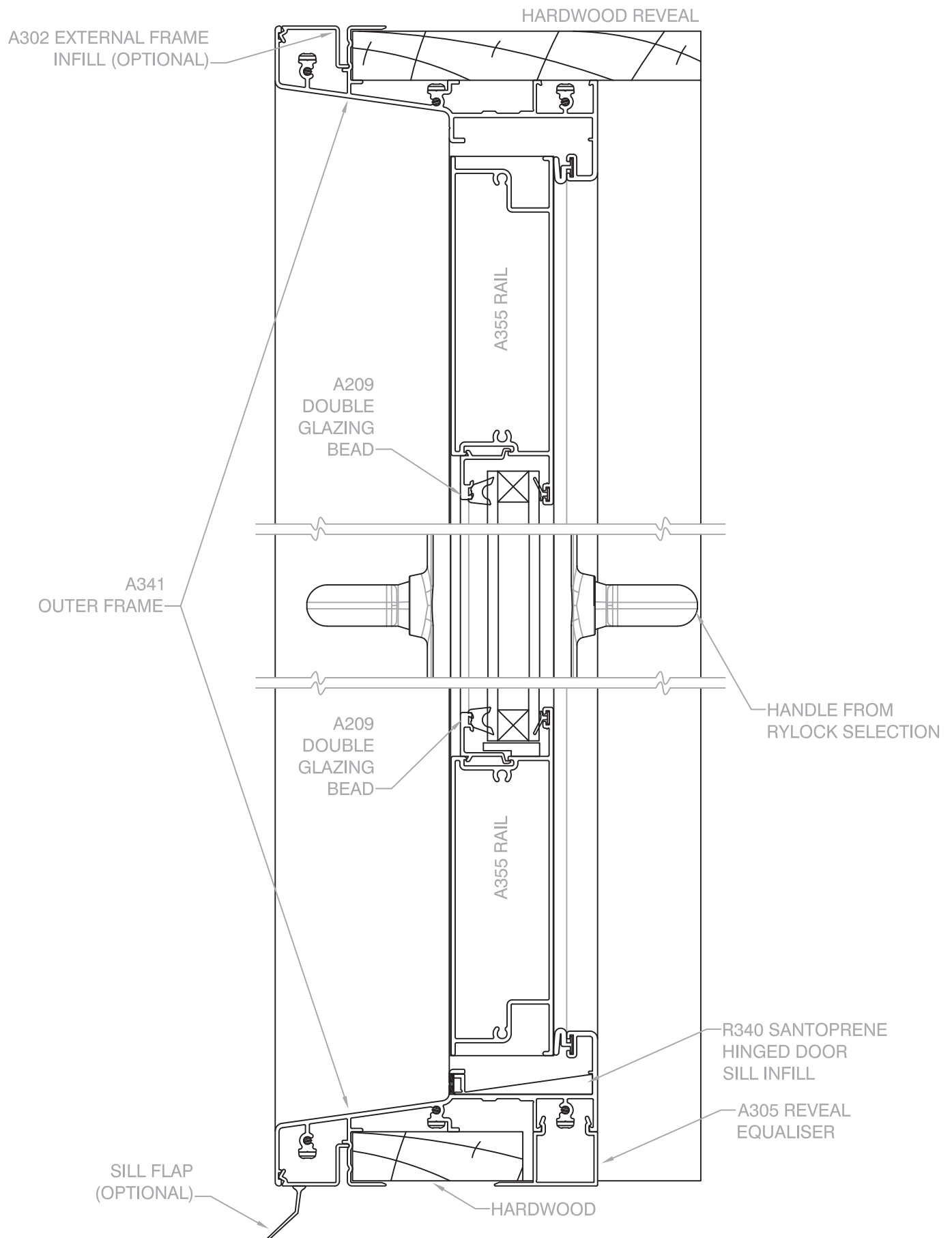
Scale 1 : 2 @ A4, Horizontal Cross Section of French Doors (><), Open-In, shown with Reveal Equaliser

The intellectual property on this drawing including rights in respect of copyright & patents are owned by Rylock Pty. Ltd.
All rights reserved. This drawings expires 31 December, 2018 or earlier. Visit www.rylock.com for most current version

HINGED DOOR OPEN-OUT



AA SERIES - 125mm FRAME

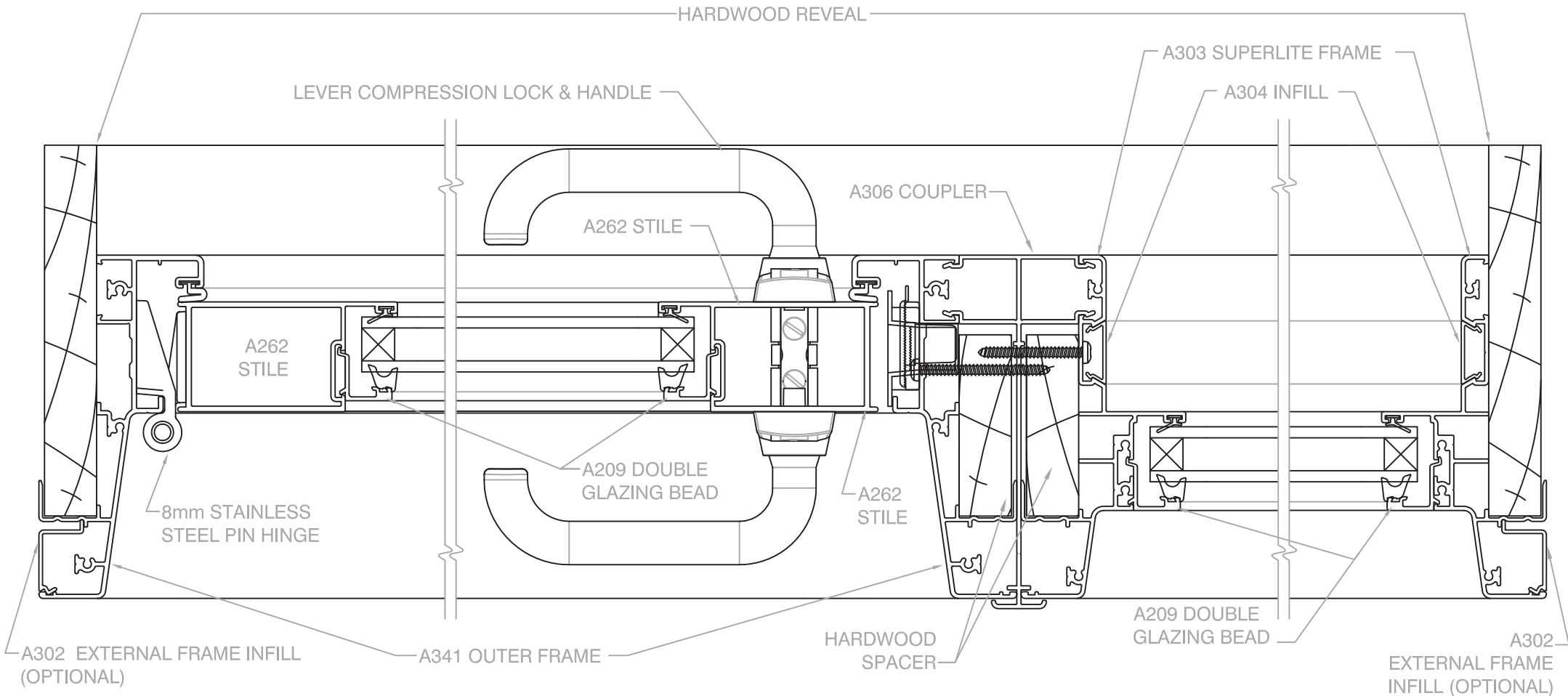


Scale 1 : 2 @ A4, Vertical Cross Section

The intellectual property on this drawing including rights in respect of copyright & patents are owned by Rylock Pty. Ltd. All rights reserved. This drawing expires 31 December, 2018 or earlier. Visit www.rylock.com for most current version

HINGED DOOR OPEN-OUT

AA SERIES - 125mm FRAME



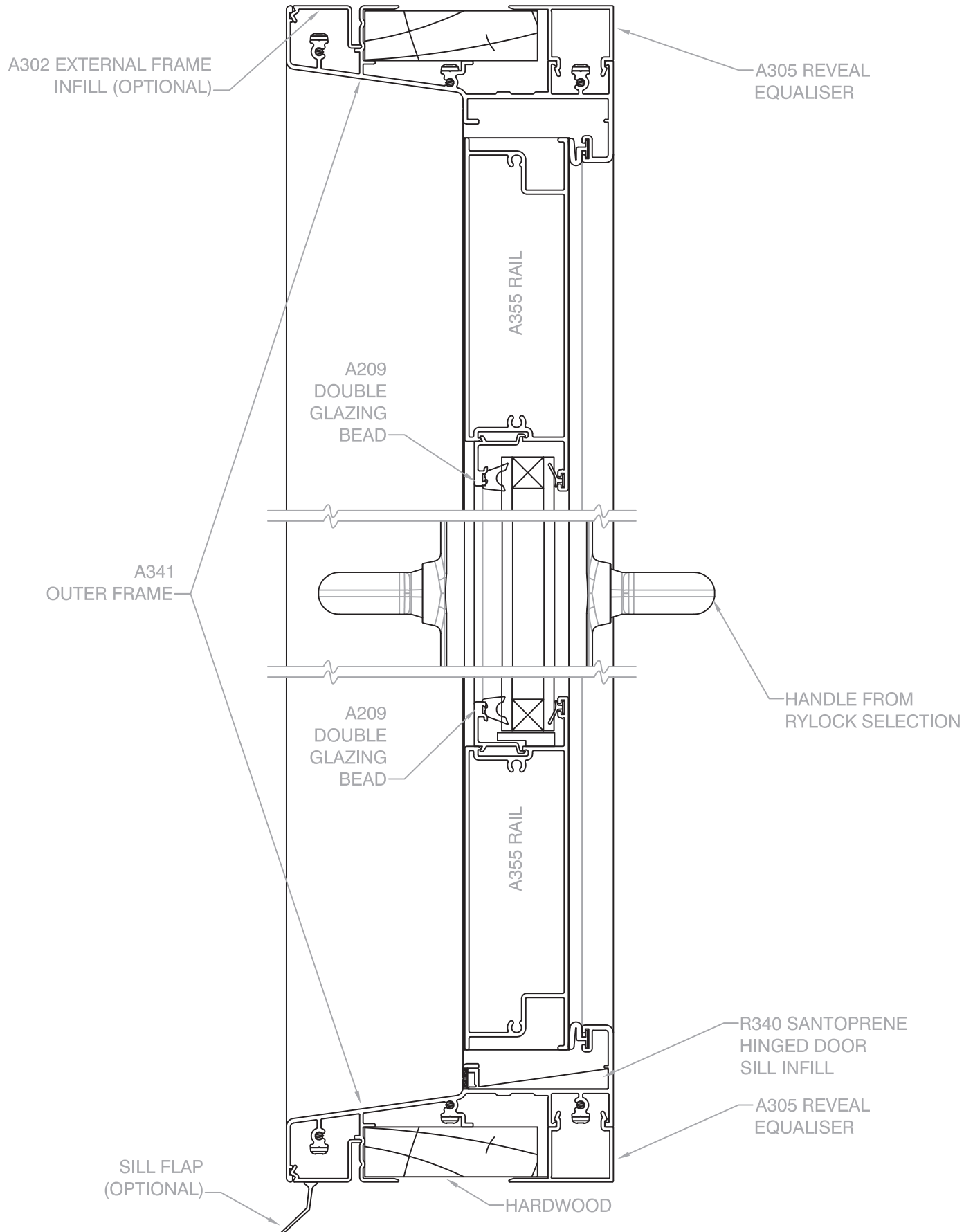
Scale 1 : 2 @ A4, Horizontal Cross Section of Open-Out Hinged Door, shown as single panel with sidelite (>0)

The intellectual property on this drawing including rights in respect of copyright & patents are owned by Rylock Pty. Ltd.
All rights reserved. This drawings expire 31 December, 2018 or earlier. Visit www.rylock.com for most current version

HINGED DOOR OPEN-OUT (with Reveal Equaliser)



AA SERIES - 125mm FRAME



Scale 1 : 2 @ A4, Vertical Cross Section, shown with Reveal Equaliser

The intellectual property on this drawing including rights in respect of copyright & patents are owned by Rylock Pty. Ltd. All rights reserved. This drawing expires 31 December, 2018 or earlier. Visit www.rylock.com for most current version

