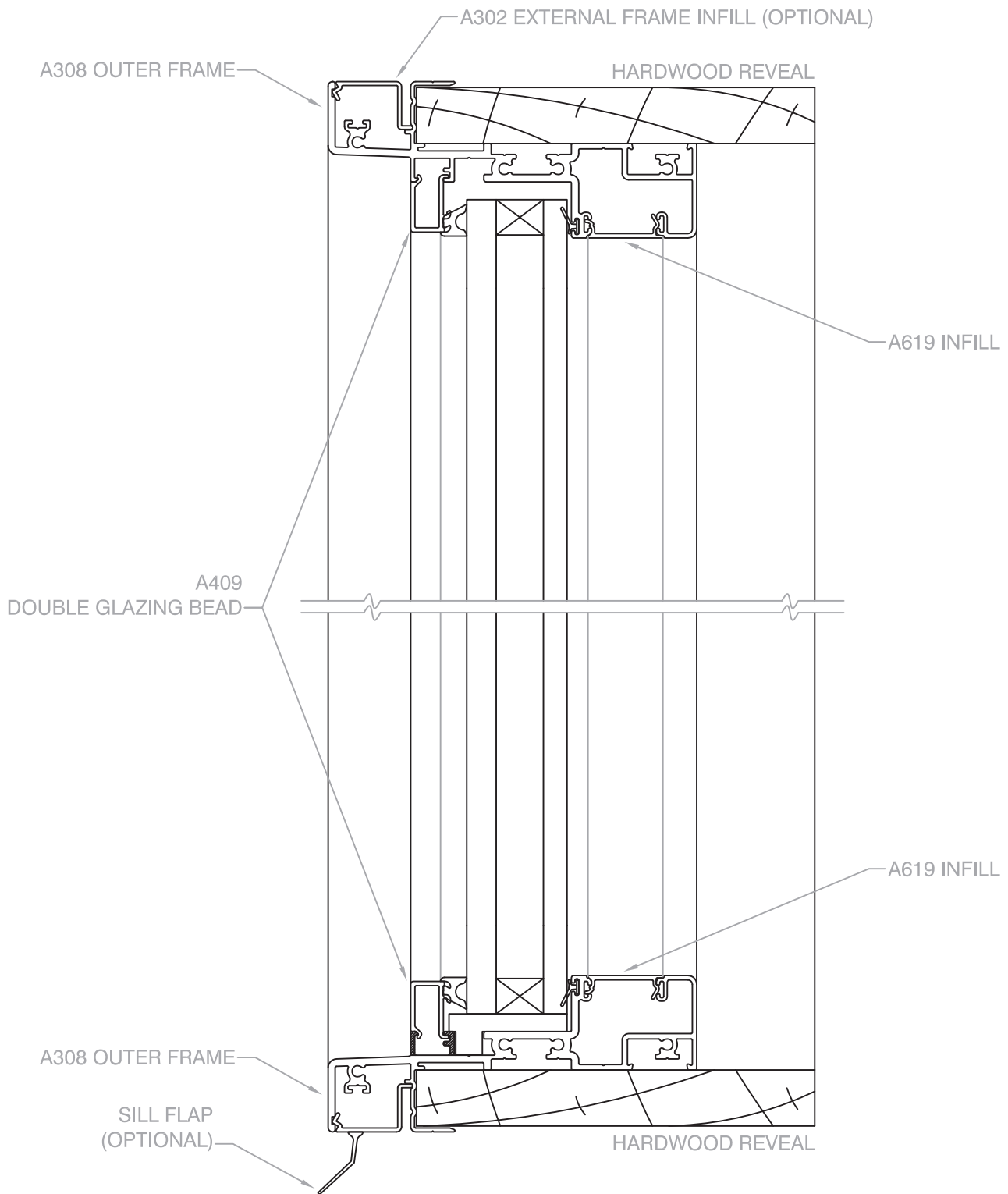


COMMERCIAL (DG) LITE



AA SERIES - 125mm FRAME

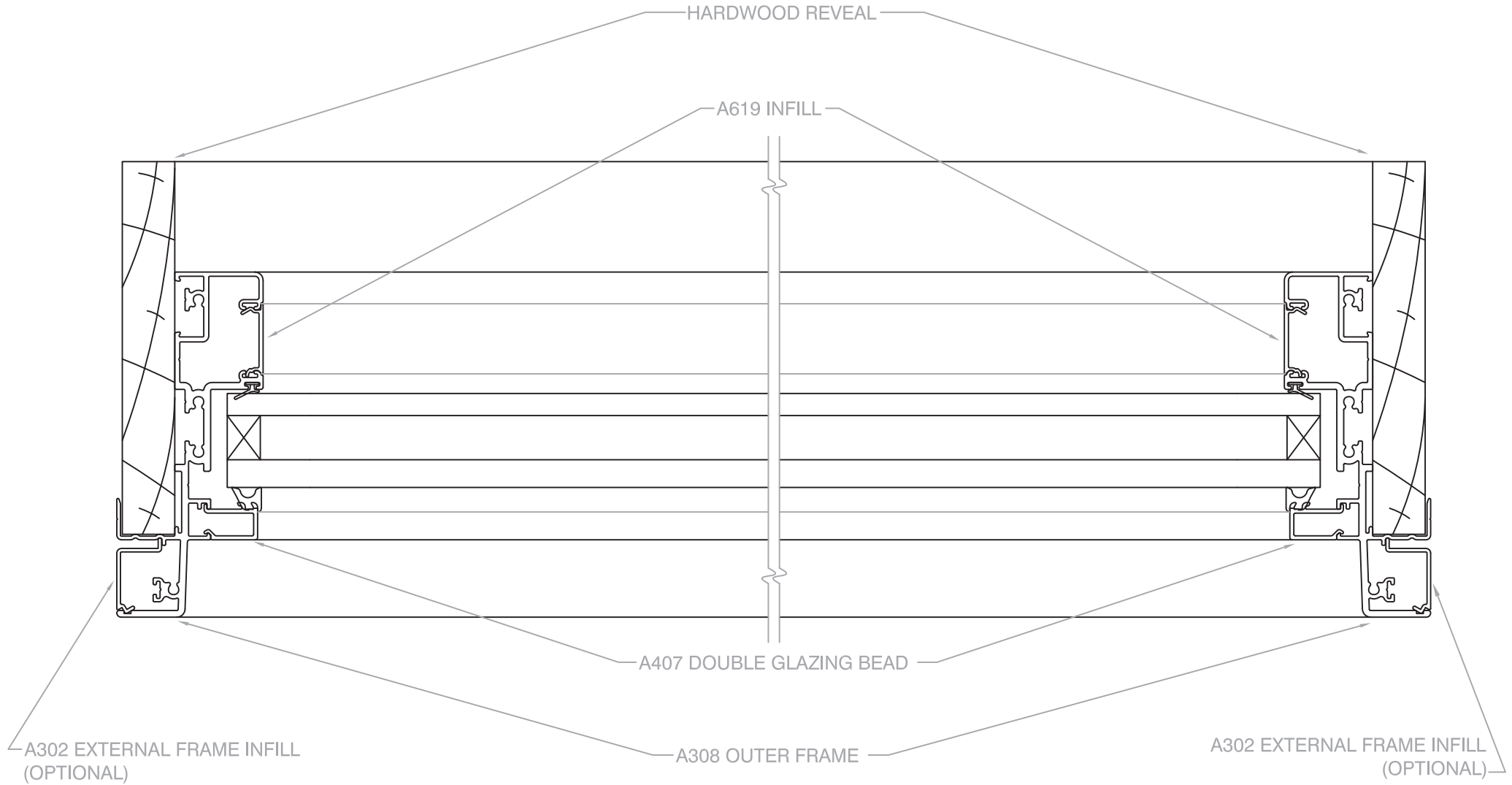


Scale 1 : 2 @ A4, Vertical Cross Section

The intellectual property on this drawing including rights in respect of copyright & patents are owned by Rylock Pty. Ltd. All rights reserved. This drawing expires 31 December, 2018 or earlier. Visit www.rylock.com for most current version

COMMERCIAL (DG) LITE

AA SERIES - 125mm FRAME



Scale 1 : 2 @ A4, Horizontal Cross Section

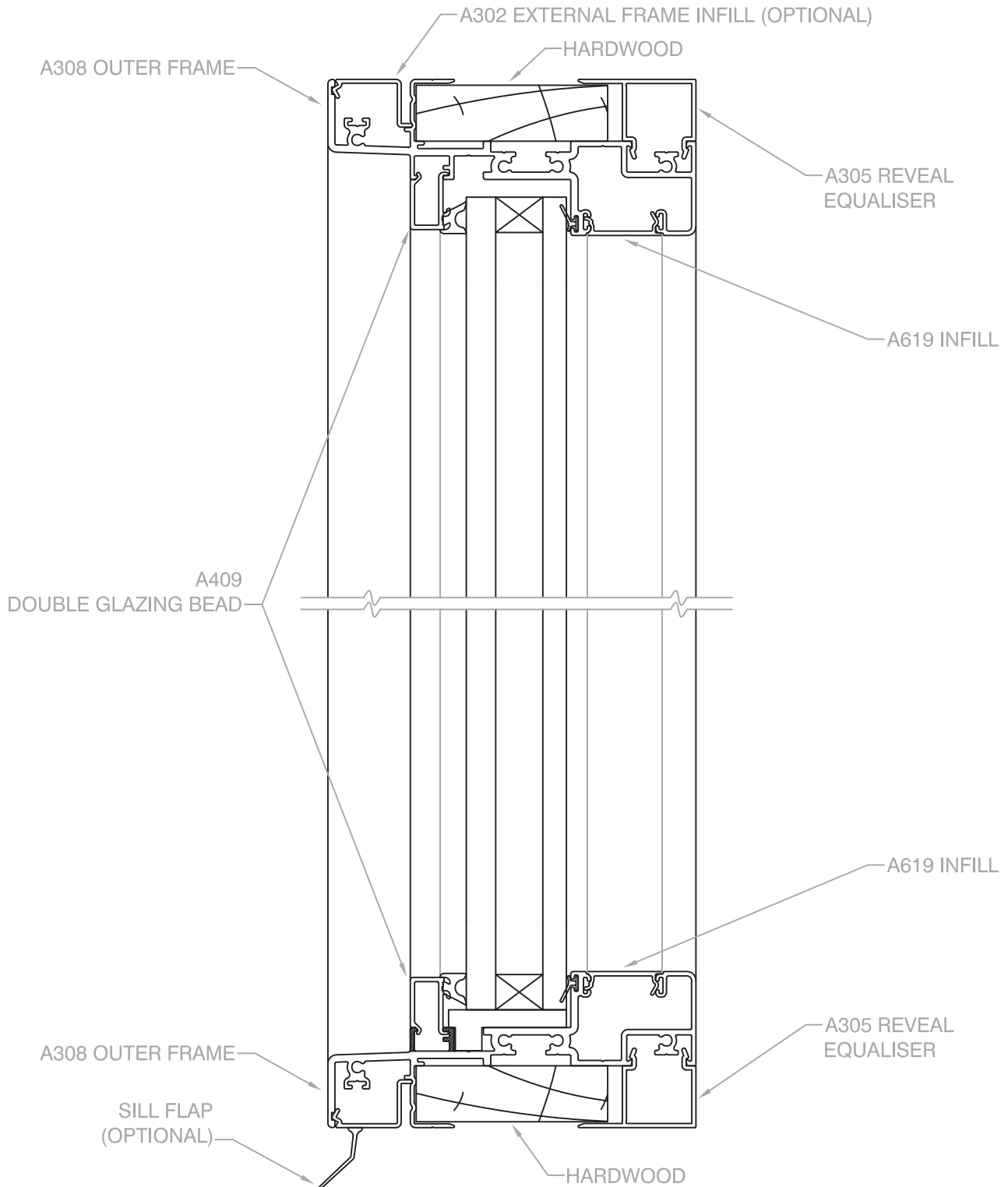
The intellectual property on this drawing including rights in respect of copyright & patents are owned by Rylock Pty. Ltd. All rights reserved. This drawing expires 31 December, 2018 or earlier. Visit www.rylock.com for most current version

COMMERCIAL (DG) LITE



(with reveal equaliser)

AA SERIES - 125mm FRAME

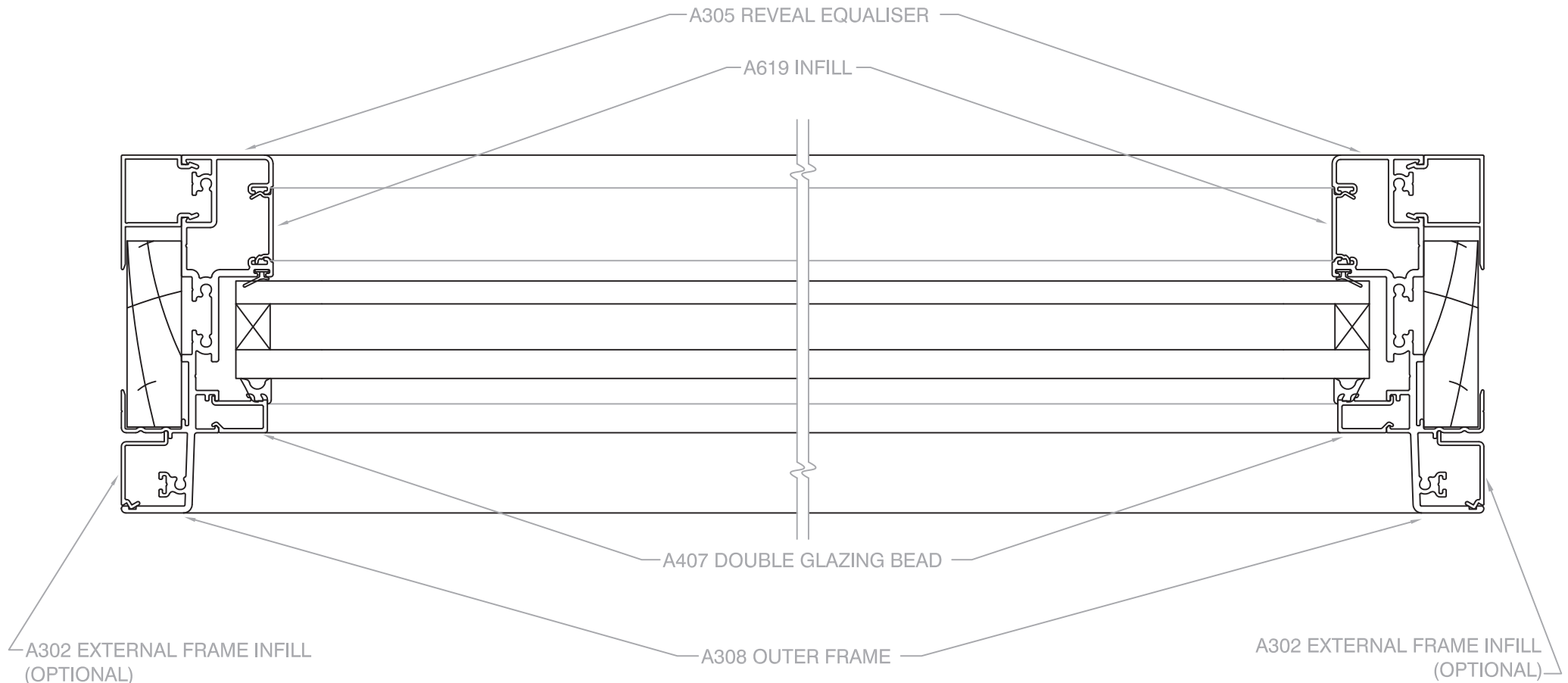


Scale 1 : 2 @ A4, Vertical Cross Section, shown with Reveal Equaliser

The intellectual property on this drawing including rights in respect of copyright & patents are owned by Rylock Pty. Ltd. All rights reserved. This drawing expires 31 December, 2018 or earlier. Visit www.rylock.com for most current version

COMMERCIAL (DG) LITE (with reveal equaliser)

AA SERIES - 125mm FRAME



Scale 1 : 2 @ A4, Horizontal Cross Section, shown with Reveal Equaliser

The intellectual property on this drawing including rights in respect of copyright & patents are owned by Rylock Pty. Ltd. All rights reserved. This drawing expires 31 December, 2018 or earlier. Visit www.rylock.com for most current version