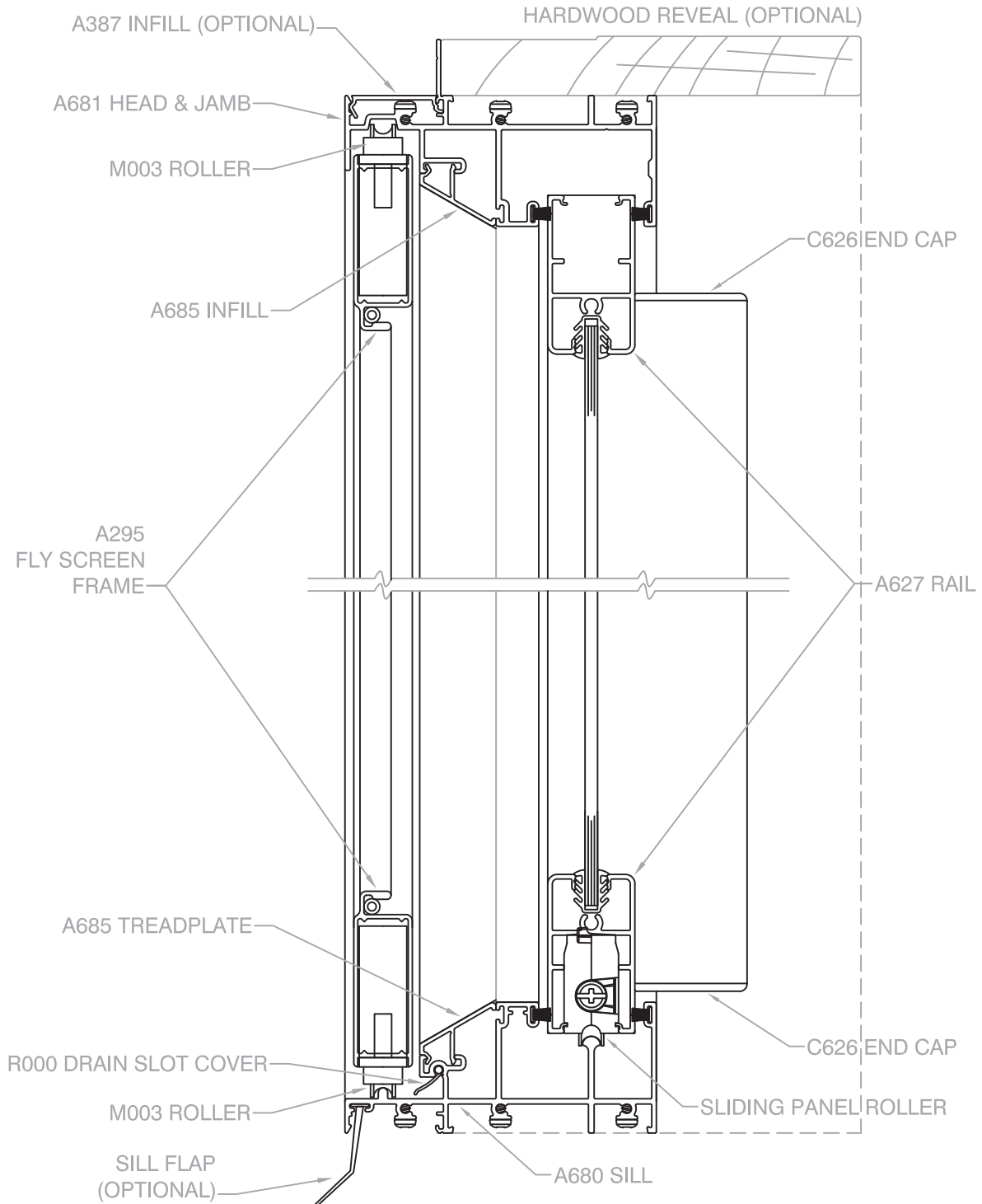


SLIDING DOOR

100 SERIES

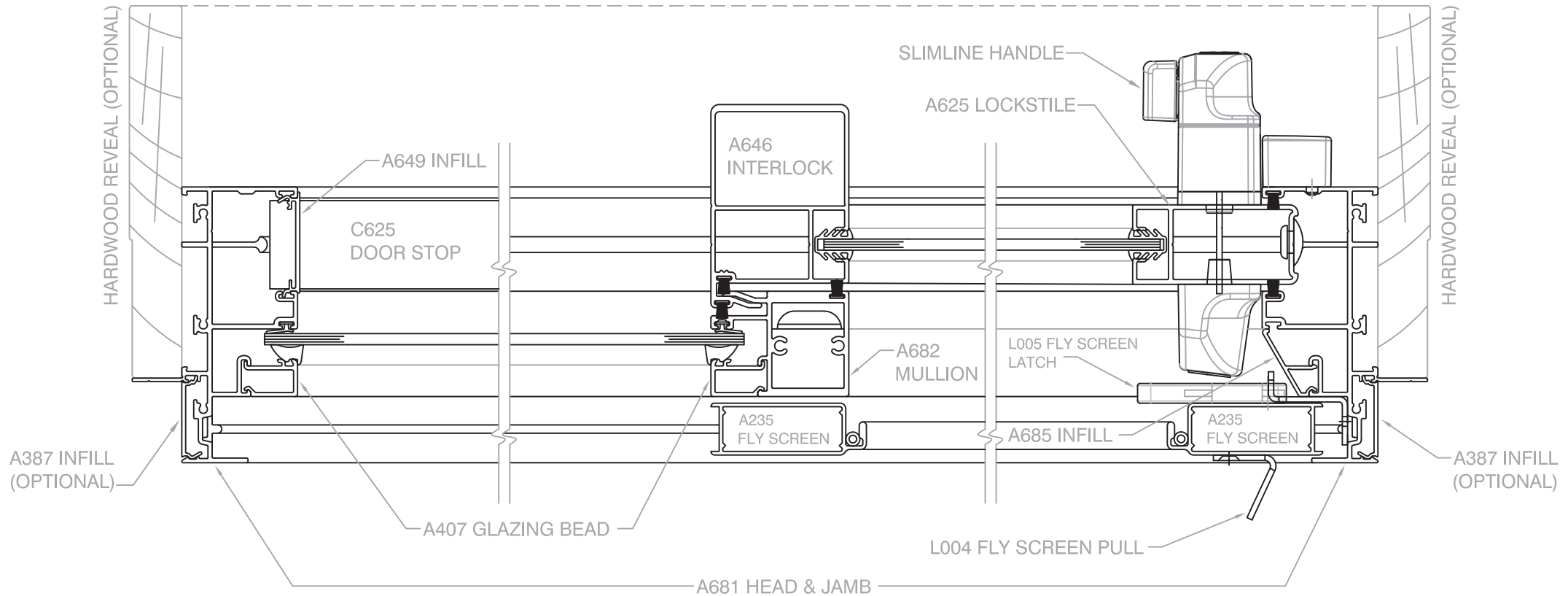


Scale 1 : 2 @ A4, Vertical Cross Section of 2-Panel, shown through the sliding panel

The intellectual property on this drawing including rights in respect of copyright & patents are owned by Rylock Pty. Ltd. All rights reserved. This drawing expires 31 December, 2018 or earlier. Visit www.rylock.com for most current version

SLIDING DOOR

100 SERIES

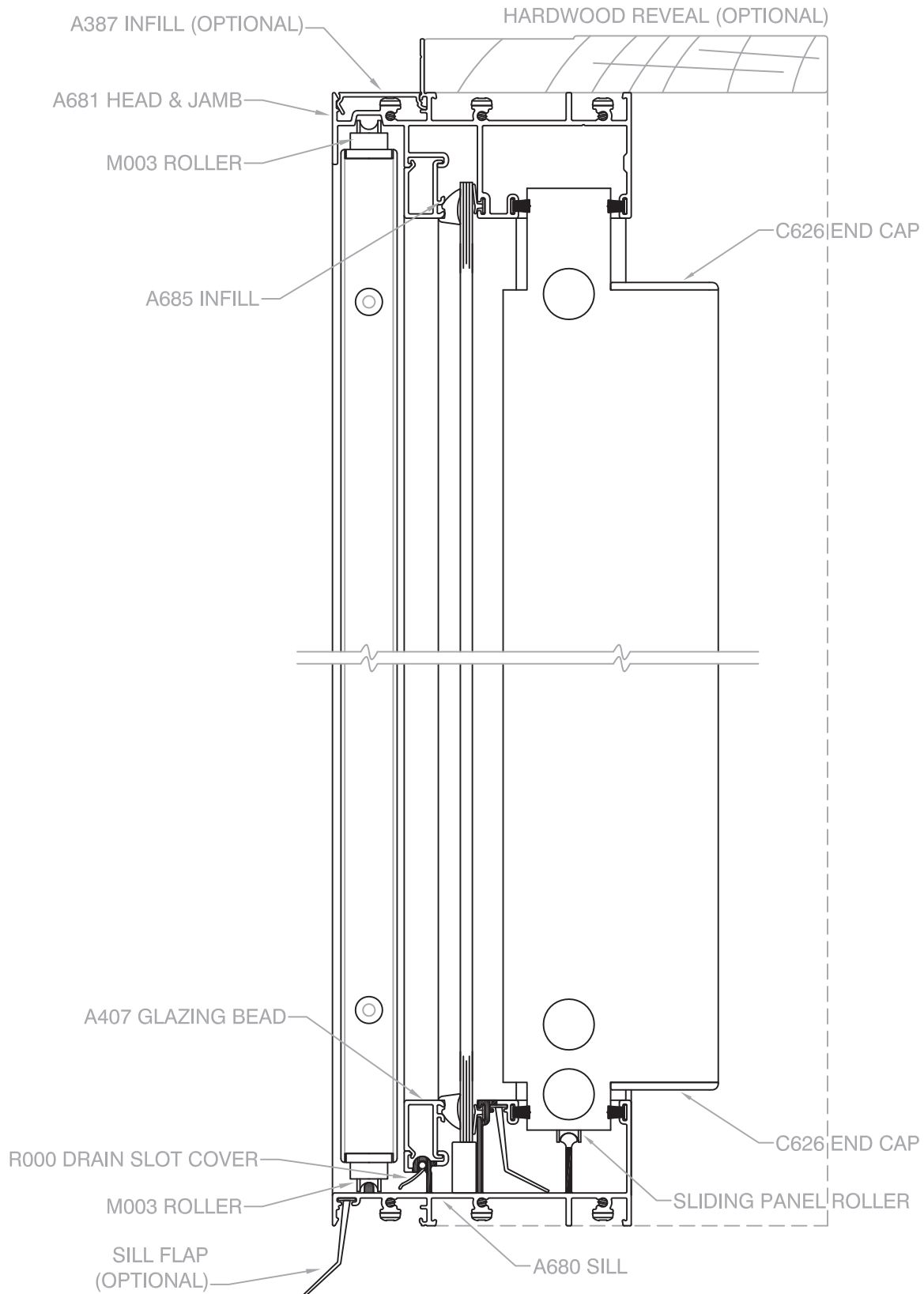


Scale 1 : 2 @ A4, Horizontal Cross Section of 2-Panel Sliding Door, OX

The intellectual property on this drawing including rights in respect of copyright & patents are owned by Rylock Pty. Ltd. All rights reserved. This drawing expires 31 December, 2018 or earlier. Visit www.rylock.com for most current version

SLIDING DOOR

100 SERIES

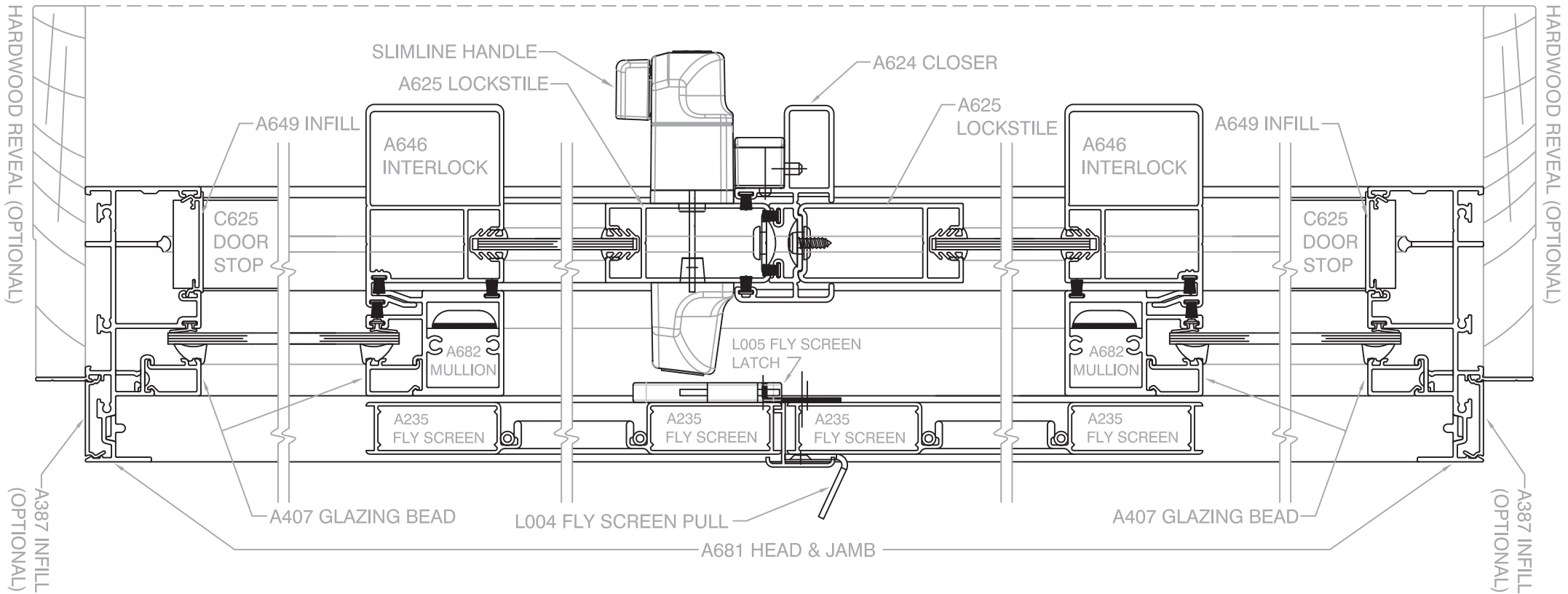


Scale 1 : 2 @ A4, Vertical Cross Section of 4-Panel, shown through fixed panel

The intellectual property on this drawing including rights in respect of copyright & patents are owned by Rylock Pty. Ltd. All rights reserved. This drawing expires 31 December, 2018 or earlier. Visit www.rylock.com for most current version

SLIDING DOOR

100 SERIES



Scale 1 : 2 @ A4, Horizontal Cross Section of 4-Panel Sliding Door

The intellectual property on this drawing including rights in respect of copyright & patents are owned by Rylock Pty. Ltd. All rights reserved. This drawing expires 31 December, 2018 or earlier. Visit www.rylock.com for most current version