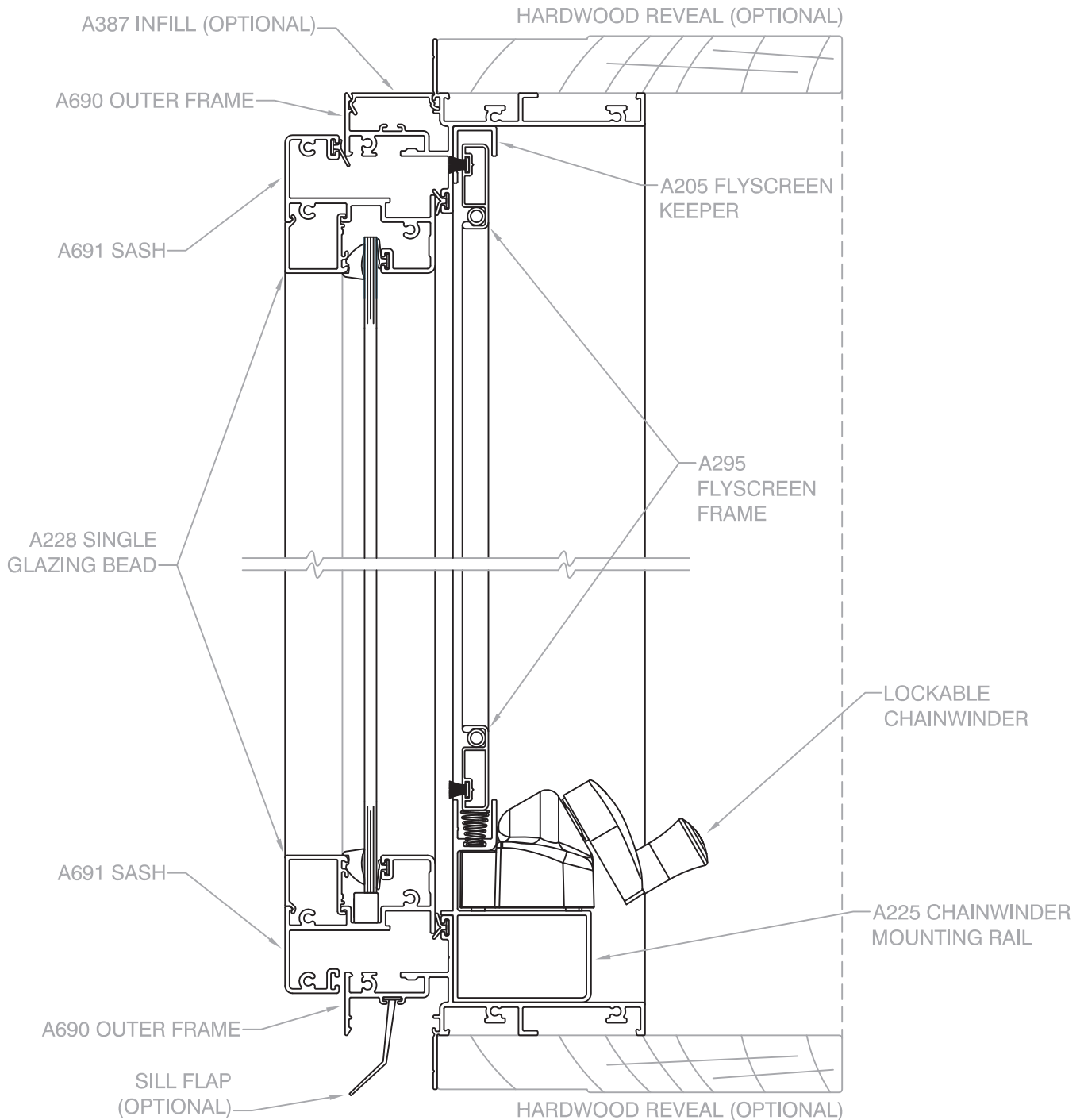


# AWNING WINDOW

## 100 SERIES

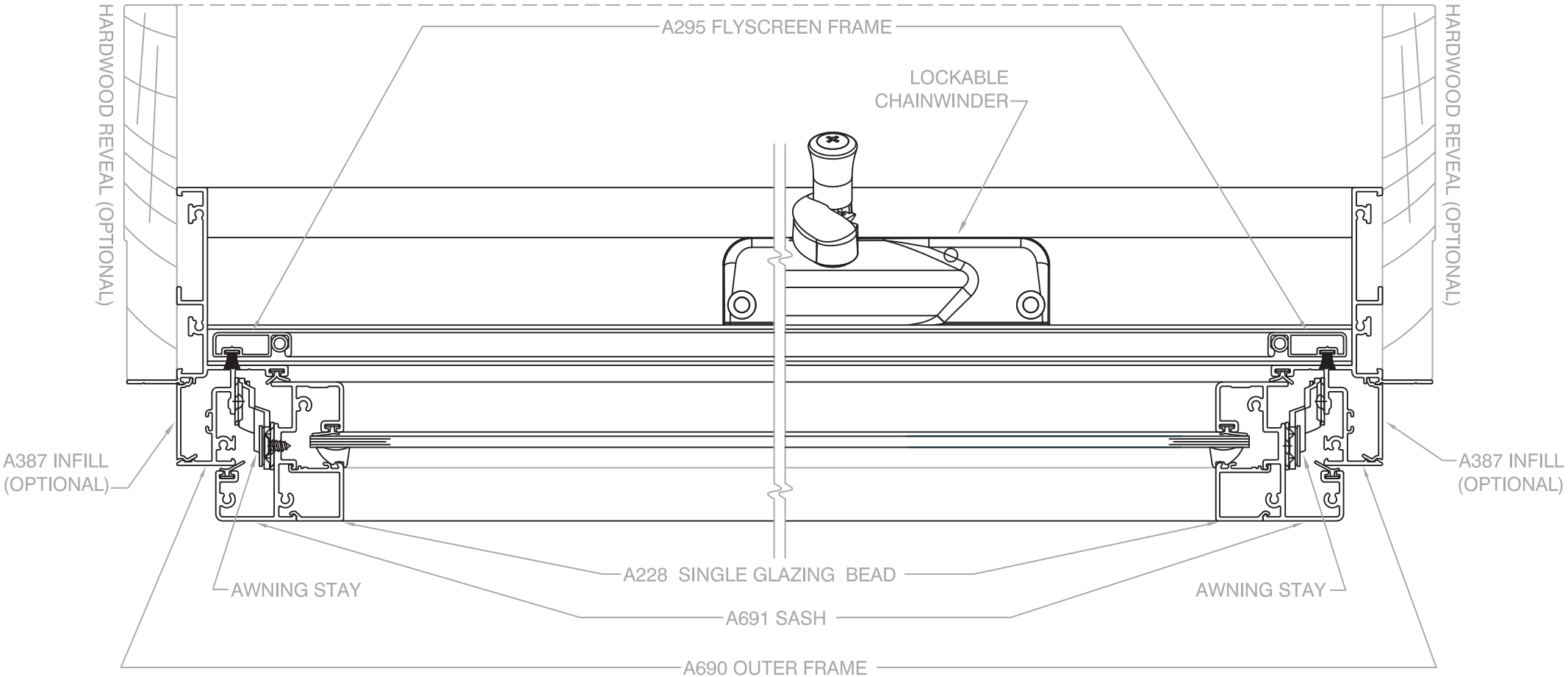


### Scale 1 : 2 @ A4, Vertical Cross Section, shown with Chain Winder

The intellectual property on this drawing including rights in respect of copyright & patents are owned by Rylock Pty. Ltd. All rights reserved. This drawing expires 31 December, 2018 or earlier. Visit [www.rylock.com](http://www.rylock.com) for most current version

# AWNING WINDOW

## 100 SERIES

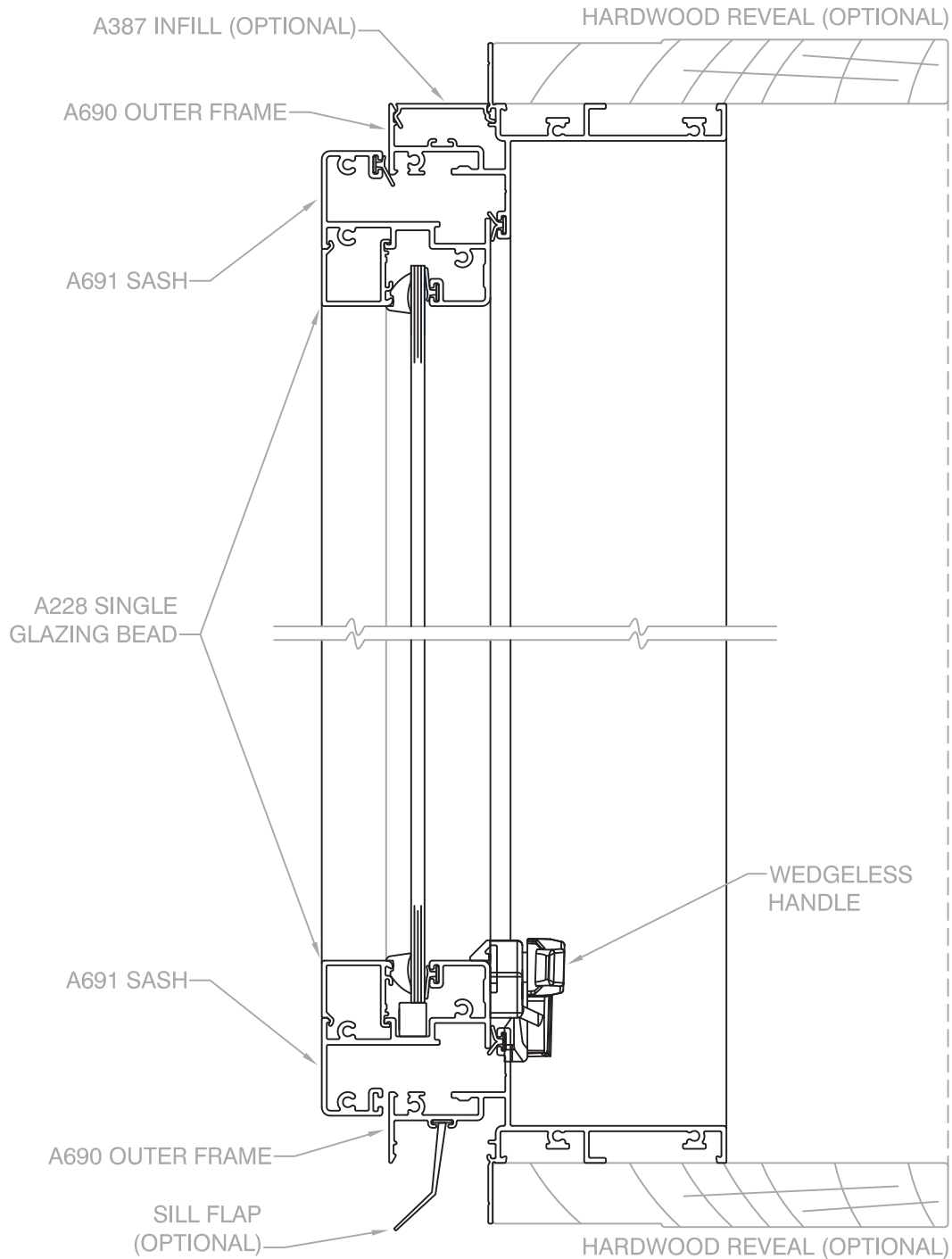


Scale 1 : 2 @ A4, Horizontal Cross Section, shown with Chain Winder

The intellectual property on this drawing including rights in respect of copyright & patents are owned by Rylock Pty. Ltd. All rights reserved. This drawing expires 31 December, 2018 or earlier. Visit [www.rylock.com](http://www.rylock.com) for most current version

# AWNING WINDOW

100 SERIES

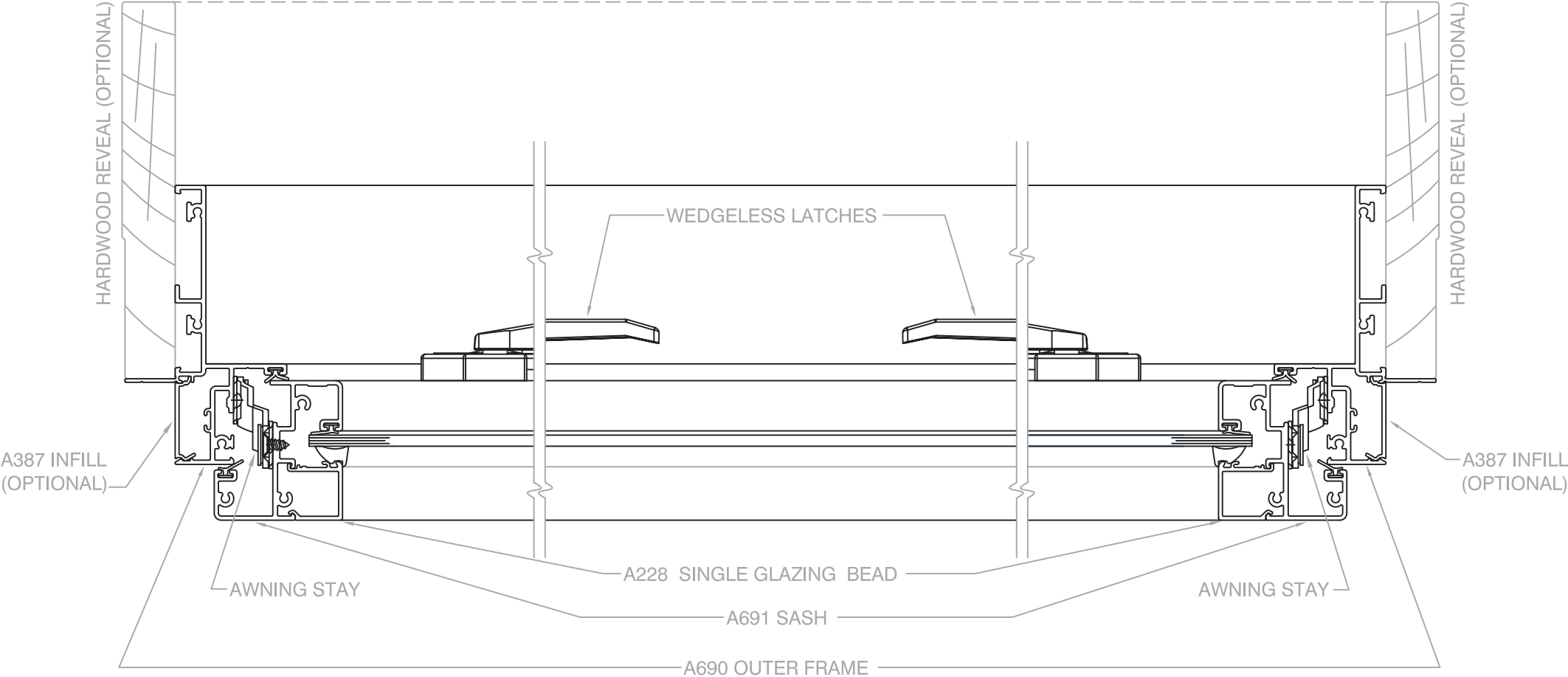


Scale 1 : 2 @ A4, Vertical Cross Section, shown with Latches

The intellectual property on this drawing including rights in respect of copyright & patents are owned by Rylock Pty. Ltd. All rights reserved. This drawing expires 31 December, 2018 or earlier. Visit [www.rylock.com](http://www.rylock.com) for most current version

# AWNING WINDOW

## 100 SERIES



Scale 1 : 2 @ A4, Horizontal Cross Section, shown with Latches

The intellectual property on this drawing including rights in respect of copyright & patents are owned by Rylock Pty. Ltd. All rights reserved. This drawing expires 31 December, 2018 or earlier. Visit [www.rylock.com](http://www.rylock.com) for most current version